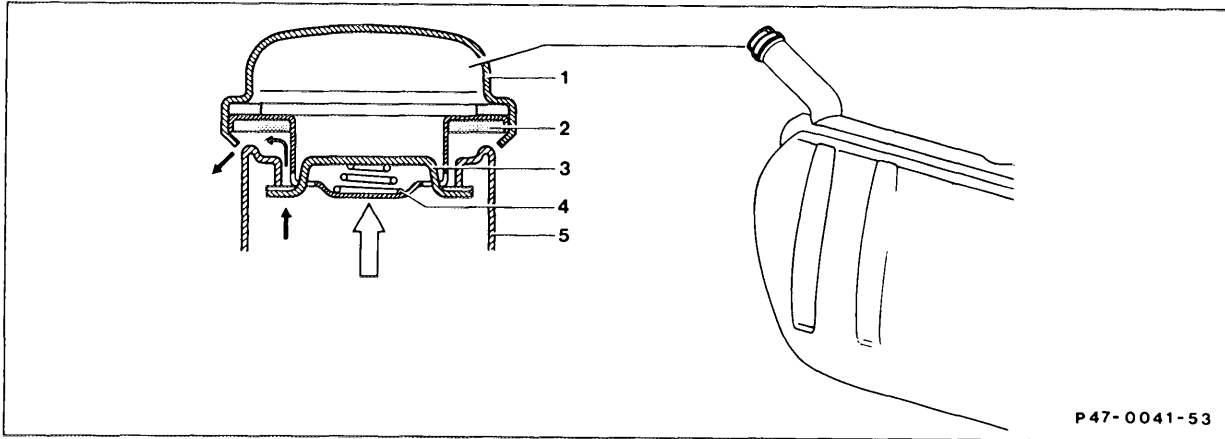


A. Filler Cap Model 107, 126



- 1 Filler cap
- 2 Seal
- 3 Locking clamp

- 4 Compression spring
- 5 Filler neck

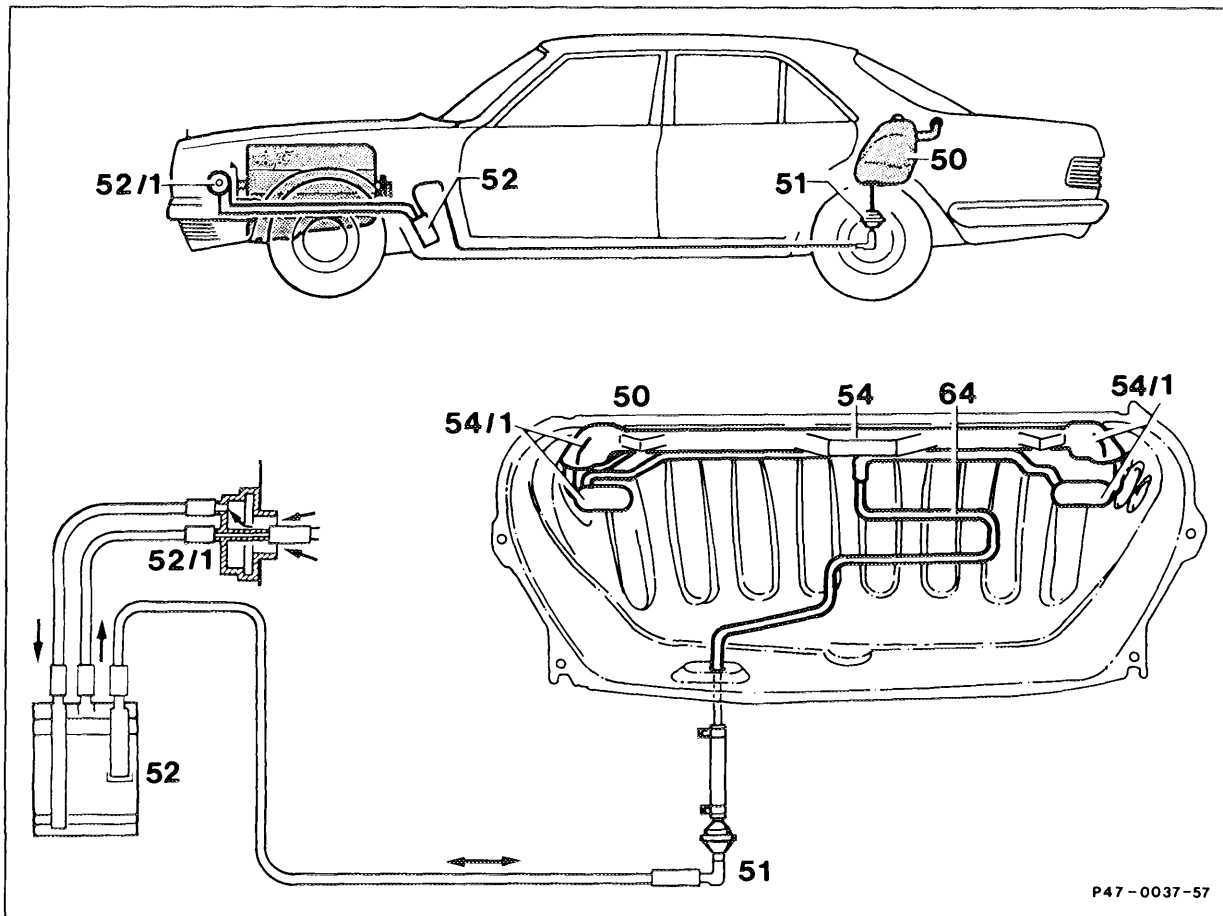
An pressure of up to 50 mbar may occur in the fuel tank in a system which is operating properly. If the passage in the vent line from the fuel tank is restricted as a result of crimping or improper routing, the fuel evaporation gases may escape through the filler cap at an pressure of 100–300 mbar.

Note

The filler cap has been fitted with a plastic seal as a phased-in modification to facilitate operation. The locking bar (3) slides on this ring with reduced friction and engages in the two end positions.

C. Models 126

Function of fuel tank venting



The ventilation system consists of a central pipe (54) with interrupter vessels (54/1). The interrupter vessels (54/1) prevent fuel escaping along the vent line (64). The vent line (64) runs from the central pipe to the vent valve (51). Air is admitted to, and released from the fuel tank (50) through the charcoal canister (52) and the boot (52/1).