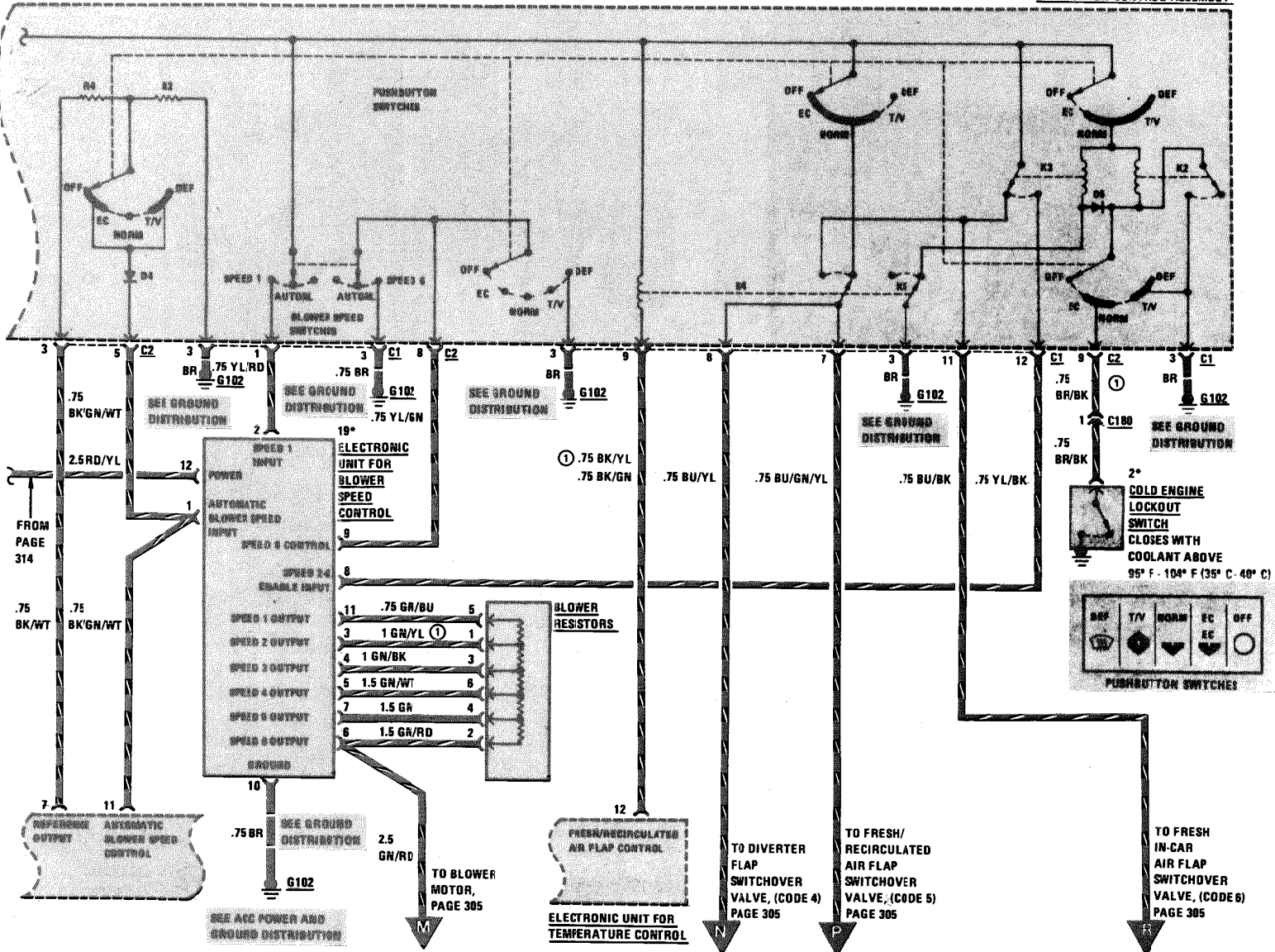


AIR DELIVERY (ELECTRICAL)

(For Component Locations See Page 311)

MY 1983/MY 1984/MY 1985

PUSHBUTTON CONTROL ASSEMBLY



REVISIONS: ① AS OF MODEL YEAR 1985