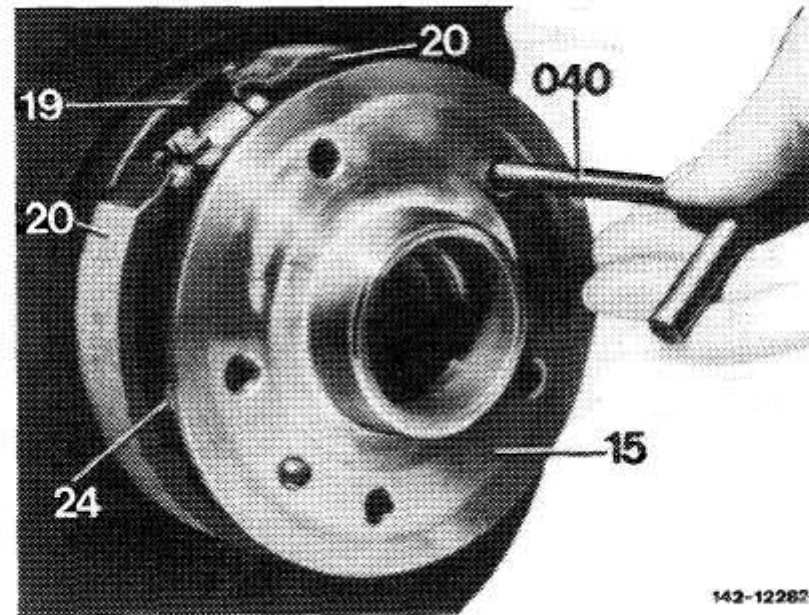


14 Insert spring (24) laterally into brake shoes (20). Introduce installation tool (040) through a threaded hole of rear axle shaft flange (15), then compress spring slightly, turn by 90° and attach to cover ring (19). Make sure that the spring is correctly attached.



142-12282

15 Attach spring (31) with small eye to brake shoes.

Note: The eyes of the restoring spring vary. For large eye refer to arrow.

16 Attach remover and installer (41) into large eye of restoring spring (31), then attach restoring spring to other brake shoes (20).

17 Install brake disc (42–228).

18 Adjust parking brake (42–540).

