

Note

Model 116.120

The engine has two engine shock absorbers, which are mounted at the left and right between engine carrier and frame cross member.

Model 123

The engine has two engine shock absorbers, of which the left one is mounted between engine carrier and frame cross member and the right one between engine carrier and console for lower control arm.

The lefthand engine shock absorber is located behind, and the right one in front of engine carrier.

Model 126.120

The engine has two engine shock absorbers, which are located at the left and right between engine carrier and frame cross member.

The lefthand engine shock absorber is located behind and the right one in front of engine carrier.

On all models, the engine shock absorbers are fastened to engine carriers by means of an engine damper bearing (42) and to frame cross member or console by means of rubber buffers and disk washers.

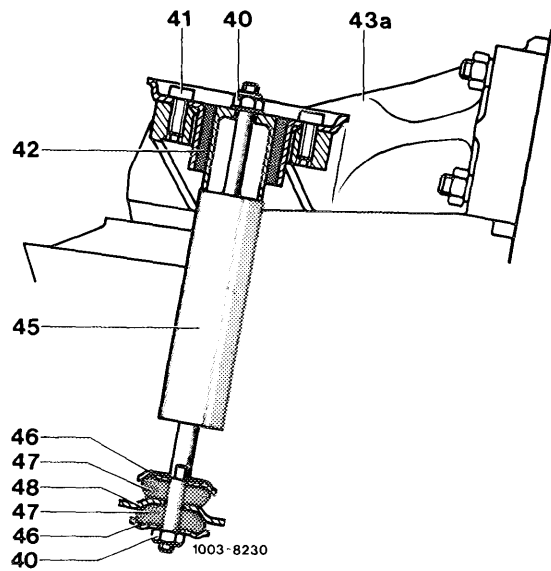
On model 123, from start of series, rubber buffers with disk washers were temporarily installed on right-hand engine shock absorber instead of damper bearing.

Removal

- 1 Unscrew nuts (40). For unscrewing lower nut, apply counterhold to piston rod at spot provided for this purpose (refer to Fig. item 6).
- 2 Remove lower disk washer (46) and lower rubber buffer (47).
- 3 Unscrew engine damper bearing (42).

Engine shock absorber left and right in model 116.120

- | | |
|-------------------------------|-----------------------|
| 40 Nut M 6 | 46 Disk washer |
| 41 Combination screw M 6 x 15 | 47 Rubber buffer |
| 42 Engine damper bearing | 48 Frame cross member |
| 43a Engine carrier | |
| 45 Engine shock absorber | |

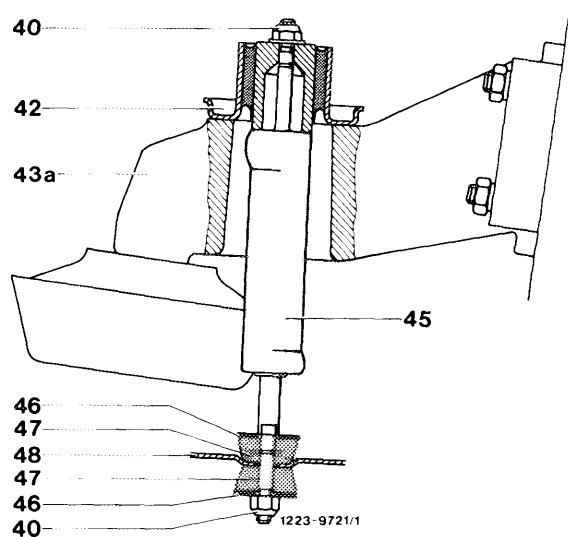


- 4 Remove engine shock absorber.

For this purpose, on model 123, pull righthand engine shock absorber (1st version) out of holder on engine carrier in forward direction.

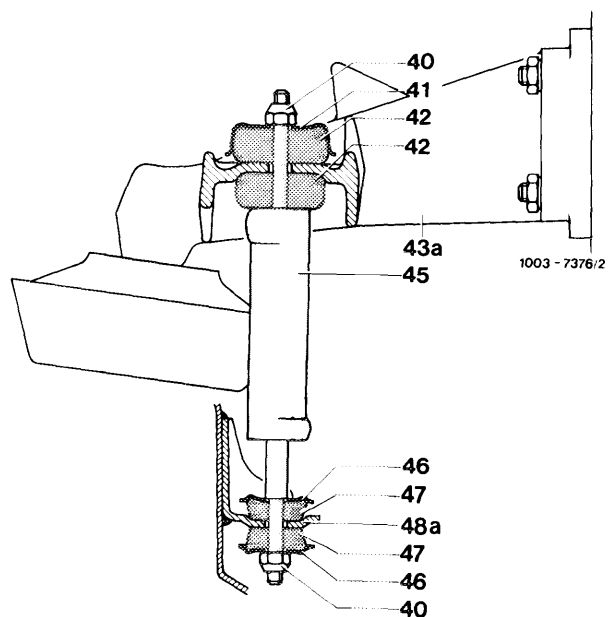
Engine shock absorber left in model 123

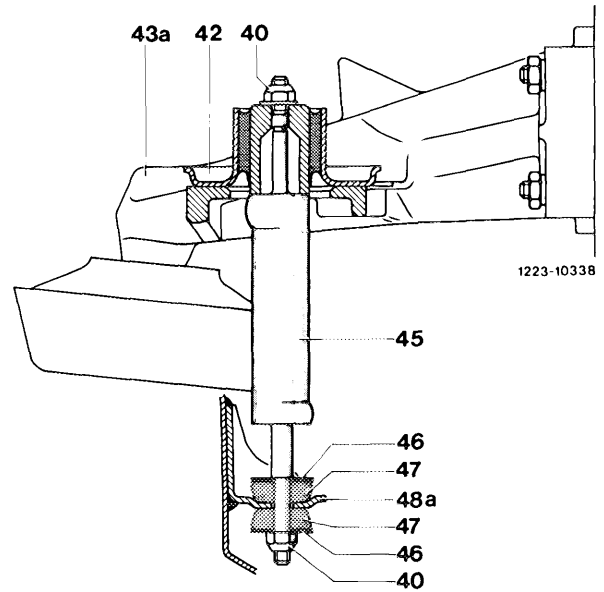
- | | |
|--------------------------|-----------------------|
| 40 Nut M 6 | 46 Disk washer |
| 42 Engine damper bearing | 47 Rubber buffer |
| 43a Engine carrier | 48 Frame cross member |
| 45 Engine shock absorber | |



Engine shock absorber right in model 123 (1st version)

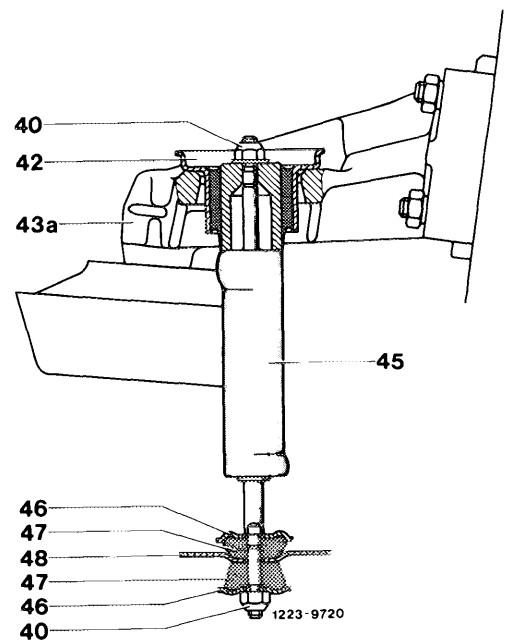
- | | |
|--------------------------|---------------------------------------------|
| 40 Nut M 6 | 46 Disk washer |
| 41 Disk washer | 47 Rubber buffer |
| 42 Rubber buffer | 48a Holder on console for lower control arm |
| 43a Engine carrier | |
| 45 Engine shock absorber | |





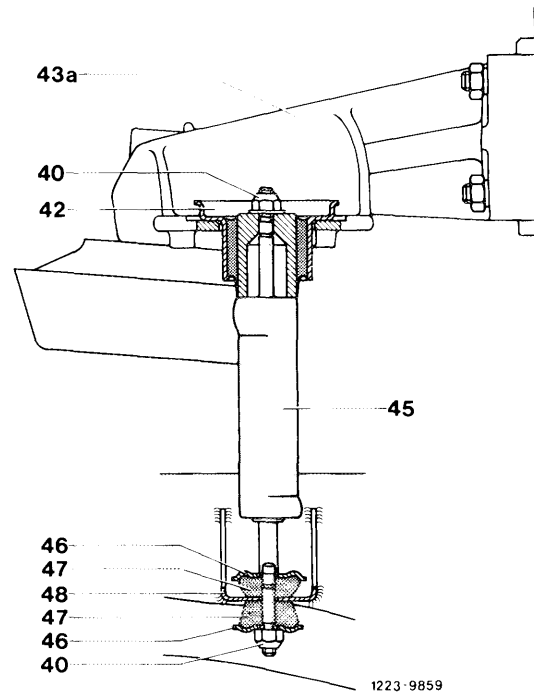
Engine shock absorber right in model 123
(2nd version)

- | | |
|--------------------------|---------------------------------------------|
| 40 Nut M 6 | 46 Disk washer |
| 42 Engine damper bearing | 47 Rubber buffer |
| 43a Engine carrier | 48a Holder on console for lower control arm |
| 45 Engine shock absorber | |



Engine shock absorber left in model 126.120

- | | |
|--------------------------|-----------------------|
| 40 Nut M 6 | 46 Disk washer |
| 42 Engine damper bearing | 47 Rubber buffer |
| 43a Engine carrier | 48 Frame cross member |
| 45 Engine shock absorber | |



Engine shock absorber right in model 126.120

- | | |
|--------------------------|-----------------------|
| 40 Nut M 6 | 46 Disk washer |
| 42 Engine damper bearing | 47 Rubber buffer |
| 43a Engine carrier | 48 Frame cross member |
| 45 Engine shock absorber | |

Installation

5 Insert engine shock absorber with piston rod in downward direction, with upper disk washer (46) and rubber buffer (47).

On model 123 slip righthand engine shock absorber (1st version) from the front on holder on engine carrier. Rubber buffer (42) should be under holder.

6 Slip lower rubber buffer (47) and disk washer (46) on piston rod.

7 Screw-on engine damper bearing (42).

8 Position nuts (40) and tighten.

For tightening lower nuts (40), apply counterhold to piston rod at spot provided for this purpose (arrow).

