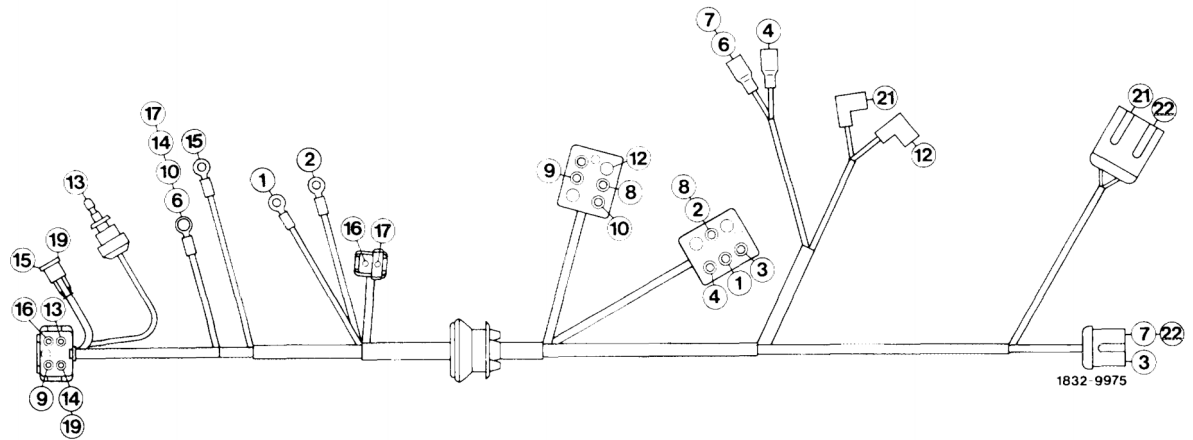


Supplementary harness or air-conditioning system and supplementary fan, 3rd version with Delco refrigerant compressor starting 08/80 model 123.1 standard version and (USA) starting model year 1981



Color code of supplementary harness

Line no.	Electric line from	to	Color code	Cross section mm ²
1	Fuse C terminal 30	Relay supplementary fan terminal 30	red/black	1.5
2	Fuse 12 terminal 15	Relay supplementary fan terminal 86	black/red	1.0
3	Relay supplementary fan terminal 87	Supplementary fan	yellow	1.5
4	Relay supplementary fan terminal 85	Temperature switch 52 °C	brown/yellow	0.75
6	Ground	Temperature switch 52 °C	brown	1.5
7	Temperature switch 52 °C	Supplementary fan	brown	1.5
8	Relay supplementary fan terminal 86	Relay refrigerant compressor term. 30	black/red	1.0
9	Temperature dial terminal 2	Relay refrigerant compressor term. 86	black/red/green	0.75
10	Ground	Relay refrigerant compressor term. 85	brown	0.75
12	Relay refrigerant compressor term. 85	Pressure switch refrigerant compressor	blue/white	1.0
13	Resistor group	Temperature dial terminal 3	blue/black	0.75
14	Temperature dial terminal 4	Ground	brown	0.75
15	Rotary light switch terminal K	Socket, bulb	gray/purple	0.75
16	Switchover valve fresh air-recirculating air	Temperature dial terminal 1	blue/yellow	0.75
17	Switchover valve fresh air-recirculating air	Ground	brown	0.75
19	Temperature dial terminal 4	Socket bulb	brown	0.75
21	Pressure switch refrigerant compressor	Refrigerant compressor	blue/white	1.0
22	Ground	Refrigerant compressor	brown	1.0