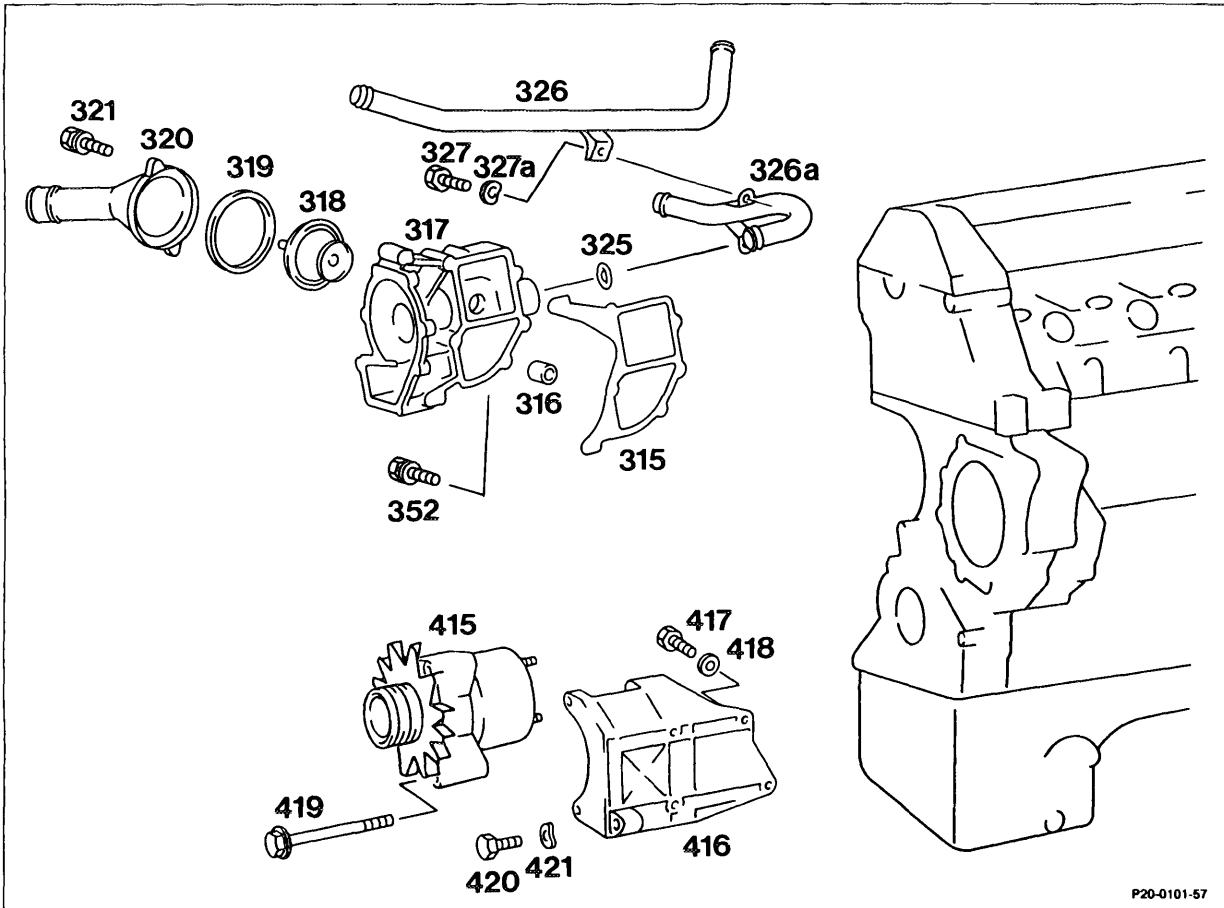


## 20-230 Removal and installation of coolant pump housing

Preceding work:  
Coolant pump removed (20-210).  
Alternator removed (15-510)



Ground cable to battery . . . . .	disconnect, connect.
Supporting bracket for alternator (416) . . . . .	unbolt, bolt on, hexagon bolts (417, 420), 25 Nm.
Return lines (326,326 a) . . . . .	unbolt at crankcase, bolt on, withdraw from coolant pump housing (317), insert. Replace O-ring (325).

**Caution!**

Do not coat O-ring with oil or grease; use only antifreeze.

**Engines 602.96, 603.96 with automatic transmission:**

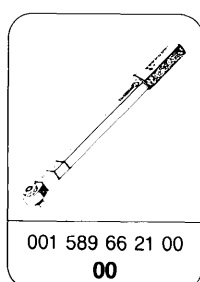
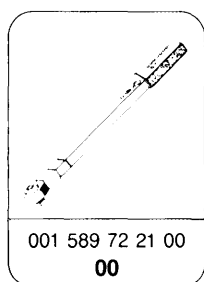
Cable from temperature switch . . . . .	detach, plug in.
Temperature switch . . . . .	unscrew, refit.

Coolant pump housing (317) . . . . .	unbolt, bolt on, hexagon bolts (352), 10 Nm. Clean sealing surface and replace gasket (315).
Cooling system . . . . .	check for leaks (20-017).

### Tightening torques

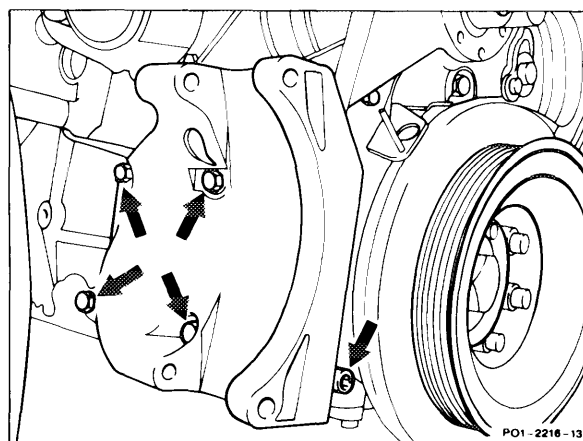
	Nm
Hexagon bolts of coolant pump housing	10
Hexagon bolts of supporting bracket for alternator	25
Hexagon bolts of alternator	45

### Special tools

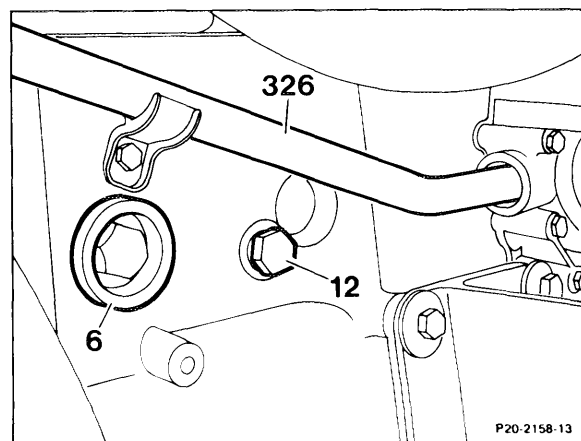


### Removal

- 1 Disconnect ground cable at the battery.
- 2 Unbolt supporting bracket for alternator (arrows).

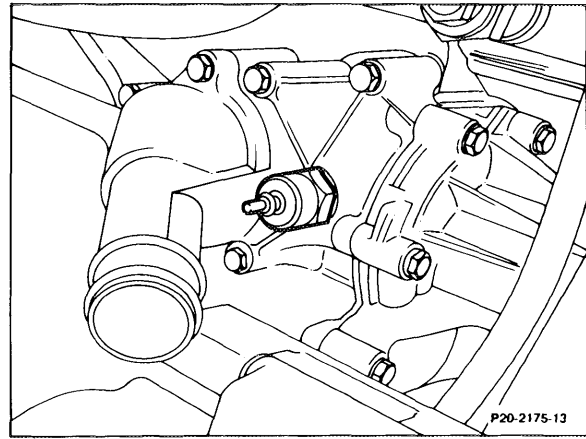


- 3 Unbolt return line (326) at the crankcase and withdraw from the coolant pump housing.



**Engines 602.96 and 603.96 with automatic transmission:**

4 Detach cable for temperature switch in coolant pump housing and unscrew temperature switch.



5 Unbolt coolant pump housing.

6 Clean sealing surfaces.

**Installation**

7 Replace O-ring on return line.

**Note**

Keep O-ring free of grease. The O-ring can be dipped in coolant to ease installation.

8 Fit coolant pump housing onto the return line and install onto crankcase with a new gasket.

Tightening torque 10 Nm.

9 Bolt return line onto the crankcase.

10 Install supporting bracket for alternator (419) and tighten fastening bolts.

Tightening torque 25 Nm.

11 Connect ground cable to the battery.

12 Check cooling system for leaks (20-017).