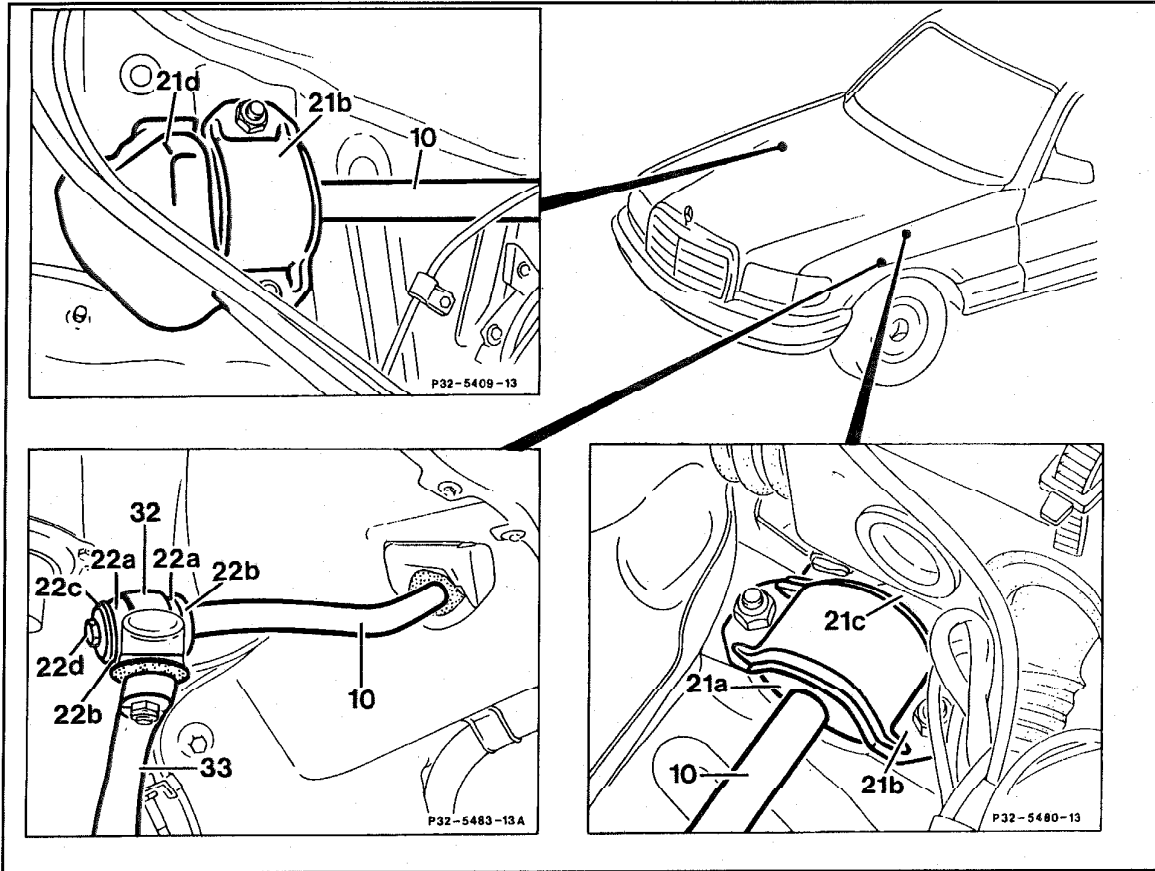


## 32-300 R and R front stabilizer bar



P32-5564-57

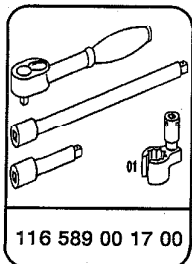
Vehicle .....	jack up at front, lower (40-012). Remove front wheels, install. Wheel lug bolts 110 Nm.
Support for top control arm (32) .....	install on stabilizer bar (10) on left and right, remove. Remove hex. head bolt (22d) with tapered washer (22c), plate washer (22b) and rubber bushing (22a).
Air cleaner .....	remove, install (09-1051).
Bulkhead center section (60) and left side section	remove, install.
Tandem master cylinder and brake booster .....	remove, install (42-310 and 42-350).
Windshield wiper and cover .....	remove, install.

## 32-300 R and R front stabilizer bar

---

Control unit for electronic speed control	remove, install.
Battery	remove, install.
Coolant	drain, fill.
Control valve for automatic climate control	remove, install (83-632).
Water hoses and pipes	remove, install.
Bulkhead right side section	remove, install.
Air conditioner	evacuate, charge (83-850).
Hoses for air conditioner	disconnect from expansion valve, connect.
Holders for brake line	remove on left and right sides of firewall, fasten.
Mount for bottom fuse box	remove, install.
Control rod	remove, install.
Bulkhead right bottom section	loosen, attach.
Bracket for stabilizer bar mount (21b)	screw off on left and right sides, screw on.
Left and right covers (21c and 21d)	remove, install.
Stabilizer bar (10)	press out of control arm eye, insert.
rubber bushing for stabilizer bar mounts (21a)	check, replace, if required.
Vehicle level	check and adjust (40-315).

### Special tool



### Note

In order to avoid distorting the support for the top control arm on the stabilizer bar during assembly, position the jack stands below the bottom control arms, not below the frame floor.

Install and tighten stabilizer bar mount on front end and support for top control arm on stabilizer bar only when they are in a position corresponding to the ready-to-drive state.

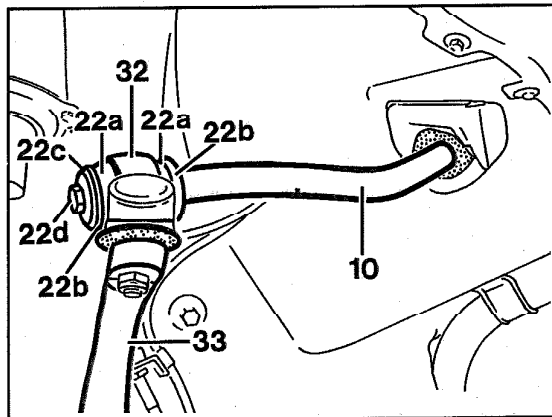
Always use new self-locking hex. nuts!

### Removal

1 Jack vehicle up at front. Position jack stands below bottom control arms. Remove front wheels.

2 Loosen support for top control arm (32) on stabilizer bar (10), remove hex. head bolt with tapered washer (22c), plate washer (22b) and rubber bushing (22a).

3 Remove air cleaner (09-1051).



P32-5483-13A

- 10 Stabilizer bar
- 22a Rubber bushing
- 22b Plate washer
- 22c Tapered washer
- 22d Hex. head bolt
- 32 Support for top control arm
- 33 Steering knuckle

## 32-300 R and R front stabilizer bar

---

4 Remove bulkhead center section (60) and bulkhead left side section.

5 Remove tandem master cylinder and brake booster (42-310 and 42-350).

6 Remove windshield wiper and cover.

7 Remove control unit for electronic speed control. Remove ABS control unit as well as associated bracket on firewall.

8 Remove battery and battery support.

9 Drain coolant. Remove control valve for automatic climate control (83-632).

10 Remove water hoses and pipes in area of firewall.

11 Remove bulkhead right side section.

12 Evacuate air conditioner (83-850).

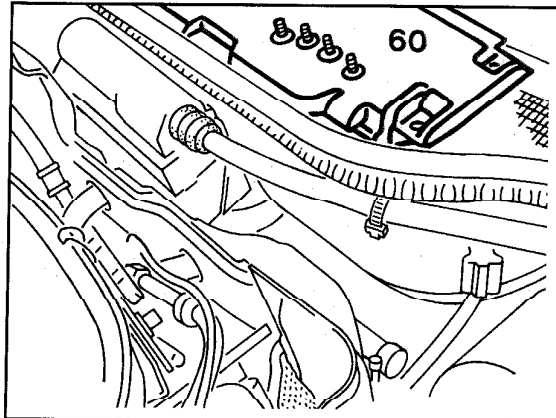
13 Disconnect hoses for air conditioner on expansion valve in passenger compartment.

14 Remove mounts for brake line on left and right sides of firewall.

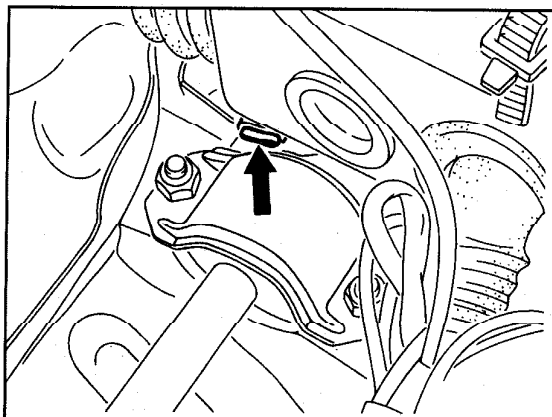
15 Remove mount for fuse box (arrow) at bottom of firewall.

16 Remove control linkage.

17 Remove bulkhead right bottom section.



P32-5556-13



P32-5481-13

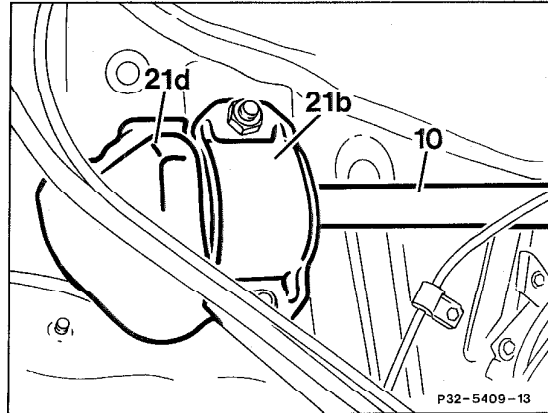
## 32-300 R and R front stabilizer bar

18 Screw off hex. nuts for stabilizer bar mount on left and right sides of front end, remove retaining brackets (21b).

19 Remove covers on left (21c) and right (21d) of front end.

### Location on right side

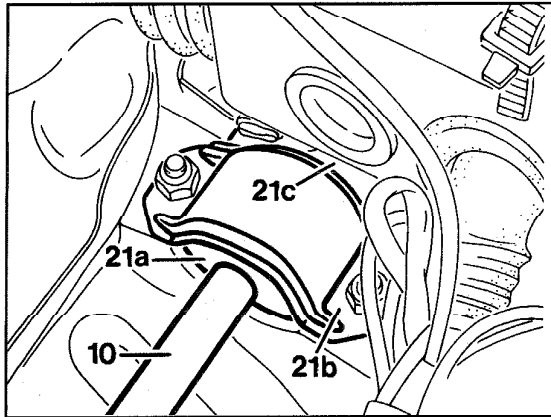
- 10 Stabilizer bar
- 21b Retaining bracket
- 21d Right cover



P32-5409-13

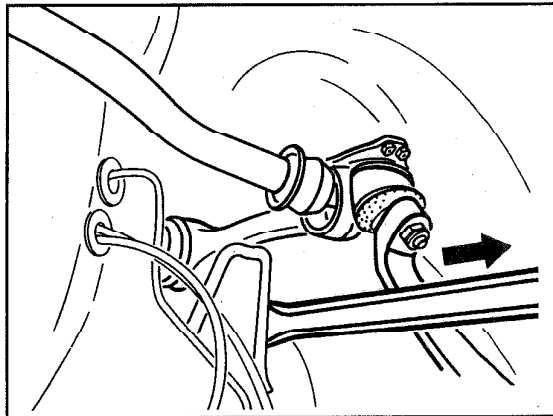
### Location on left side

- 10 Stabilizer bar
- 21a Rubber bushing
- 21b Retaining bracket
- 21c Left cover



P32-5480-13

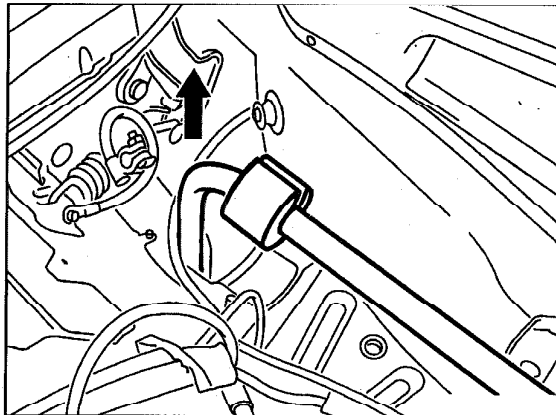
20 Press stabilizer bar out of control arm eye with suitable tool (arrow).



P32-5486-13

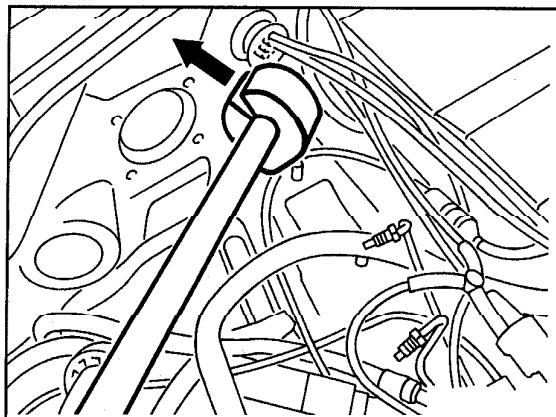
## 32-300 R and R front stabilizer bar

21 Remove stabilizer bar by moving to right first, then turning as required and moving upward and to left.



Right side

P32-5489-13

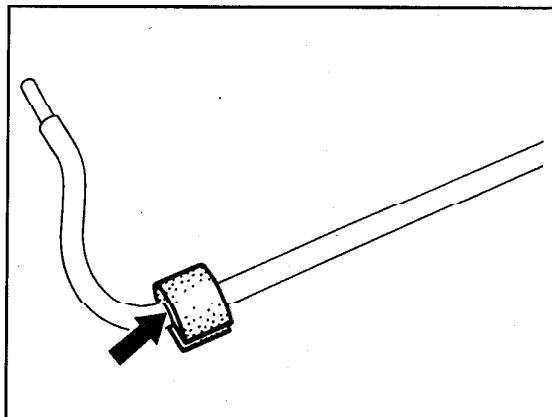


Left side

P32-5558-13

22 Check rubber bushings for stabilizer bar mounts on front end and support for top control arm on stabilizer bar.

The contact surface for the rubber bushing on the stabilizer bar must be free of grease and oil (arrow).

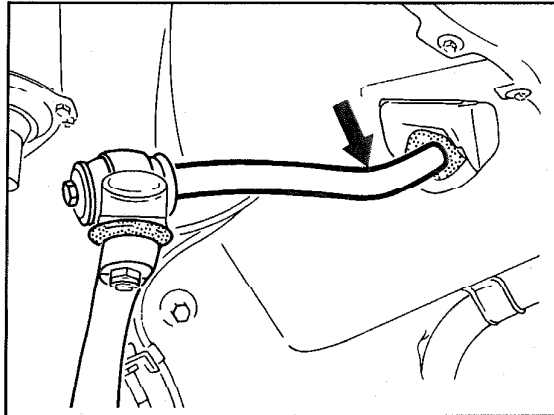


P32-5557-13

## 32-300 R and R front stabilizer bar

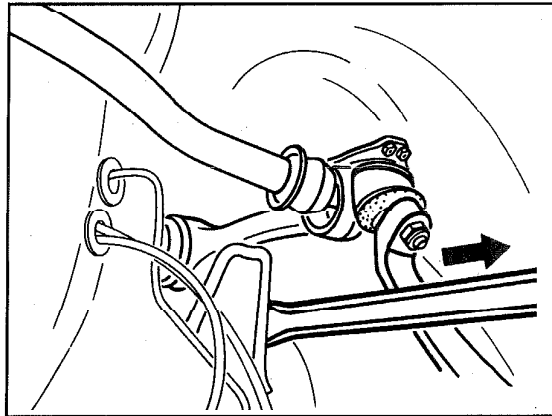
### Installation

23 Insert stabilizer bar so that curve in stabilizer bar arms points downward (arrow), see item 24.



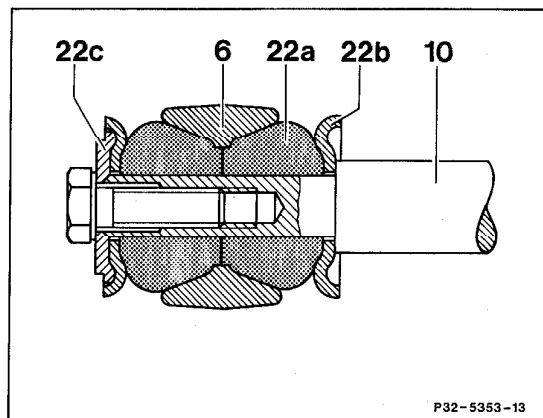
P32-5484-13

24 Insert ends of stabilizer bar into mounting holes, use appropriate lever as installation aid, if required.



P32-5486-13

25 Install support for top control arm on stabilizer bar.



P32-5353-13

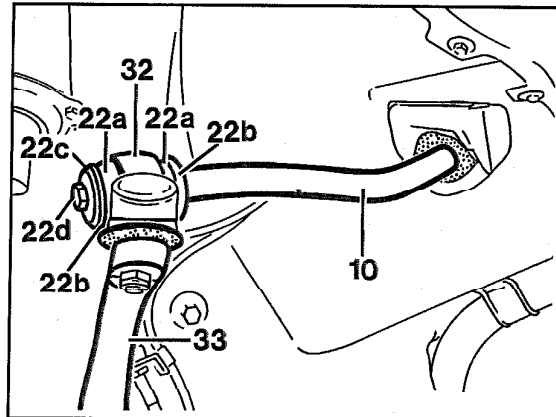
P32-5353-13

- 6 Top control arm
- 10 Stabilizer bar
- 22a Rubber bushing
- 22b Plate washer
- 22c Tapered washer

## 32-300 R and R front stabilizer bar

### ⚠ Caution!

When installing the hex. head bolt (22d) ensure that the rubber bushings are not distorted in the control arm eye.



P32-5483-13A

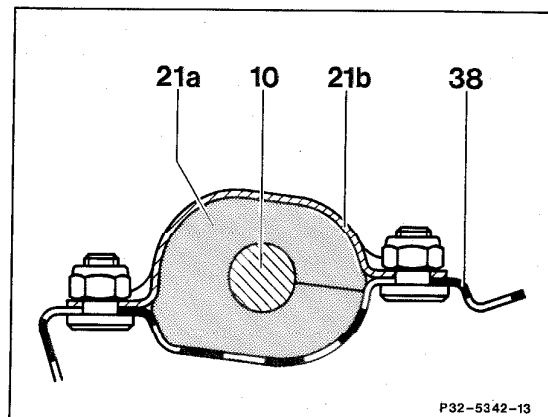
- 10 Stabilizer bar
- 21a Rubber bushing
- 22b Plate washer
- 22c Tapered washer
- 22d Hex. head bolt
- 32 Support for top control arm
- 33 Steering knuckle

26 Slide rubber bushing for stabilizer bar mounts on front end onto stabilizer bar with separating slit toward rear.

27 Install retaining bracket. Use new self-locking hex. nuts!

28 Install left and right covers on front end.

29 Connect coolant hoses and electrical cables.



P32-5342-13  
P32-5342-13

- 10 Stabilizer bar
- 21a Rubber bushing
- 21b Retaining bracket
- 38 Front end

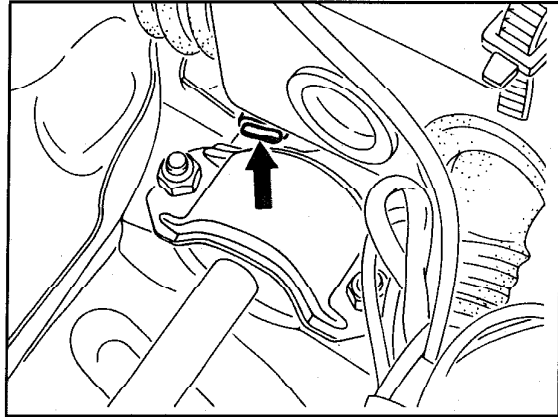


30 Install mount for fuse box at bottom of firewall (arrow).

31 Fasten fuse box.

32 If necessary completely loosen mount for parking brake in passenger compartment to install rubber grommet.

33 Connect hoses for air conditioner to expansion valve. Connect duo valve and water hoses, fill system with coolant and perform pressure test.



P32-5481-13

34 Install bulkhead. Install engine control shaft. Install battery support.

35 Install cover for windshield wiper compartment and windshield wiper.

36 Install tandem master cylinder and brake booster (42-310 and 14-350).

37 Install all electrical lines, ABS control unit, control unit for speed control and battery. Install windshield washer tank with lines.

38 Install air cleaner.

39 Mount front wheels.

40 Lower vehicle.

41 Charge air conditioner (83-840). Install cover on left side of instrument panel.

42 Check vehicle level, adjust, if required (40-315).