

Some of the Part numbers found from European OM606 engines

Diagram #

Injection pumps

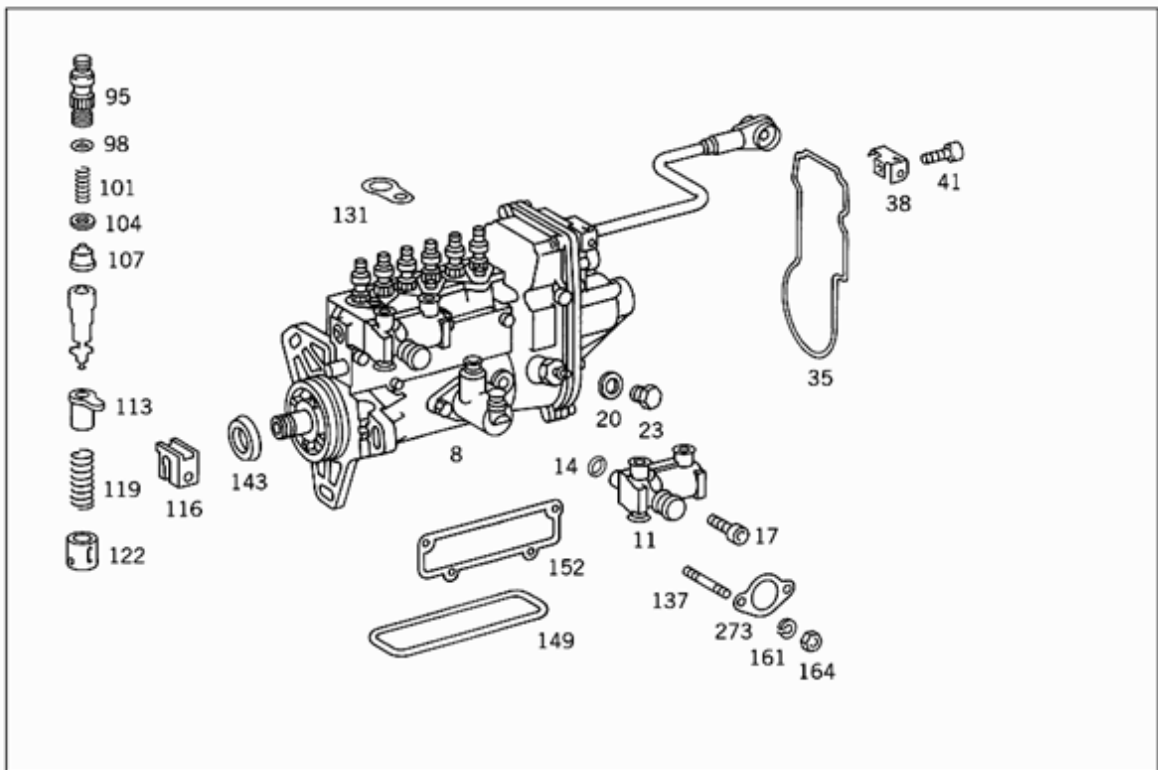
8	6060700601	OM606.962/4	W210	Turbo Diesel	1998, 1999
	Bosch	0400196003			
8	6060700501	OM606.912	W210	NA	1996,
1997	Bosch				
8	6060700101	OM606.910	W124	NA	1995
	Bosch	0400076953			

O-ring sizes for future work, get viton

6	2mm x 15mm ID x 19mm OD	delivery valve o-ring
1	2.5mm x 12mm ID x 17mm OD	shutoff valve
9	2.5mm x 8mm ID x 13mm OD	fuel line (1 located at fuel filter housing)
3	2.5mm x 10mm ID x 15mm OD	fuel filter housing
1	3mm x 18mm ID x 24mm OD	pre-filter
1	3mm x 35mm ID /x 41mm OD	O-R in-tank fuel screen/filter

Delivery valve assembly part #'s Believed to be for most OM606 engines

95	0000783269	Delivery valve holder / outside cover
98	0179974148	rubber 0-ring Seal
101	0010743493	Spring
101	0000743793	Spring
104	0049974540	Copper Seal Ring, ??? <i>14mm x 10mm x 0.50mm</i>
107	0010741084	pressure valve assembly (valve & cylinder)



Injection line anti-vibration holders & shims

- 92 7 6010780386 injector line shim attaches to metal bracket
- 95 7 6030780141 injector line fastener goes around lines
- 104 2 6010782641 injector line bracket fastener goes around lines

Diagram from 1995 E300D

