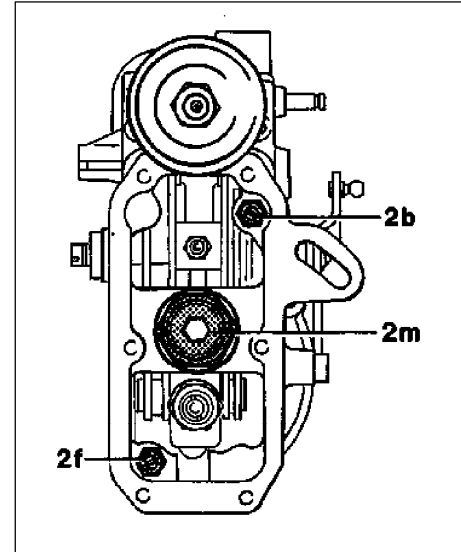


AF07.11-P-6500-02AA	Increasing full load quantity on engines without anti-jerk control (ARA)		
---------------------	--	--	--

**Revisions**

26.8.98	Validity expanded		
---------	-------------------	--	--

- 1 Turn slotted screw (2f) approx. 1/4 turn to left.



P07.11-0001-02