

AF07.11-P-6500-01A	Adjustment of maximum rpm to upper tolerance limit		
--------------------	--	--	--

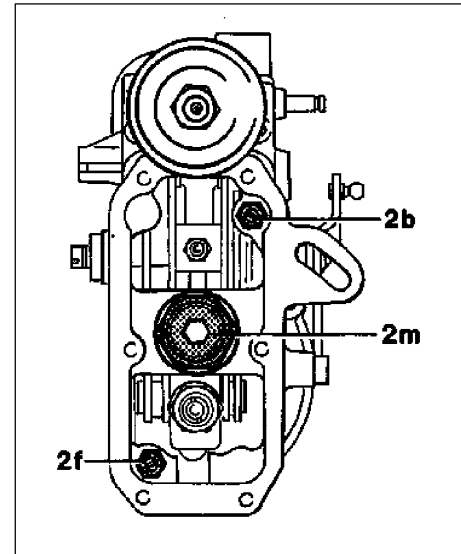
### Revisions

26.8.98	Validity expanded		
---------	-------------------	--	--

- 1 Turn Allen screw (2m) to right.

**Note**

One half turn corresponds to 150 rpm.



P07.11-0001-02