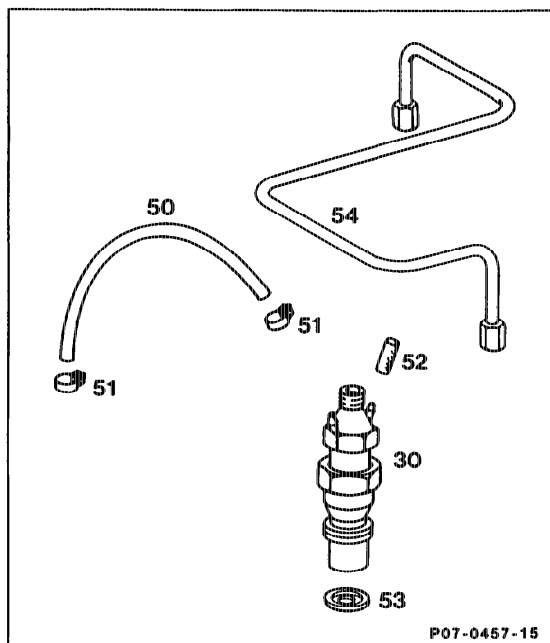


## 07.1-6810 Removing and Installing Injection Nozzle

Operation no. of operation texts and work units or standard texts  
and flat rates: 07-6810



Hose clip (Ⓢ only) (51) .....	open, close.
Leak oil hose (50), plug (52) .....	remove, fit on.
Injection line (54) .....	remove, install, tightening torque 10-20 Nm as reference value.
Injection nozzle (30) .....	remove, install, tightening torque 70-80 Nm, Special tool 001 589 65 09 00.
Nozzle shim (53) .....	renew.

### Special tool

