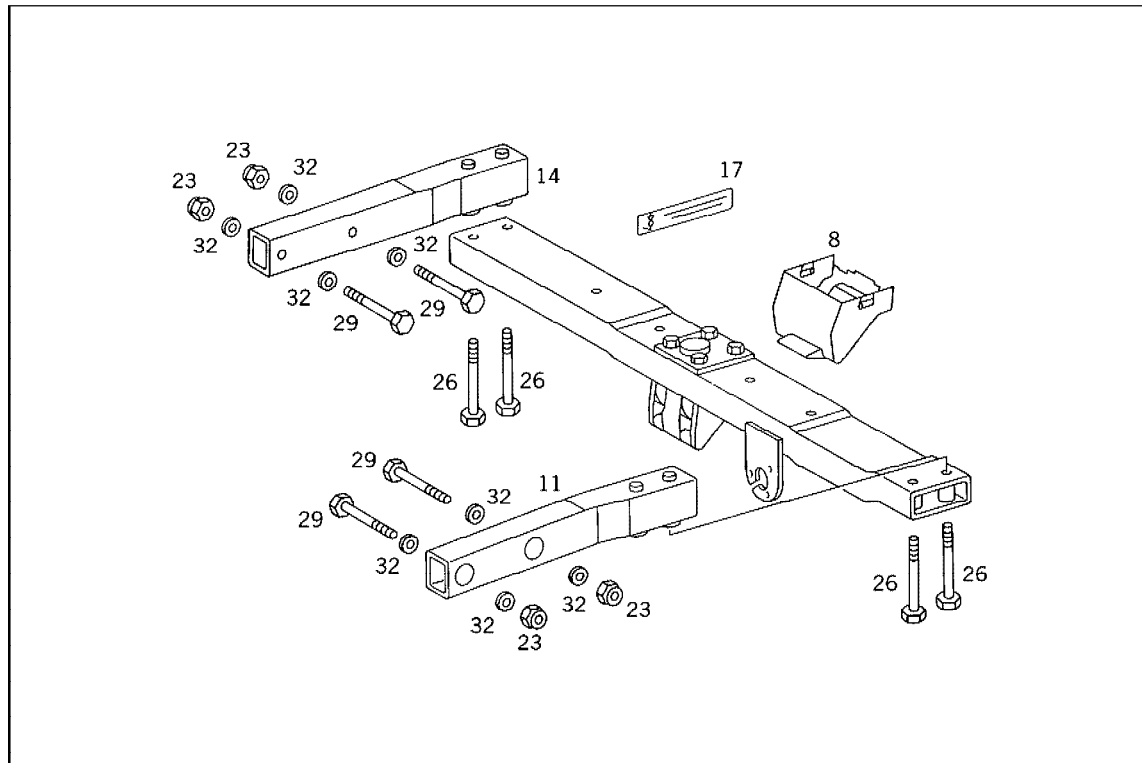


124.193/31/015/B31015000014

HITCHING MECHANISM/TRAILER COUPLING



Copyright DaimlerChrysler AG, All Rights Reserved.

DaimlerChrysler