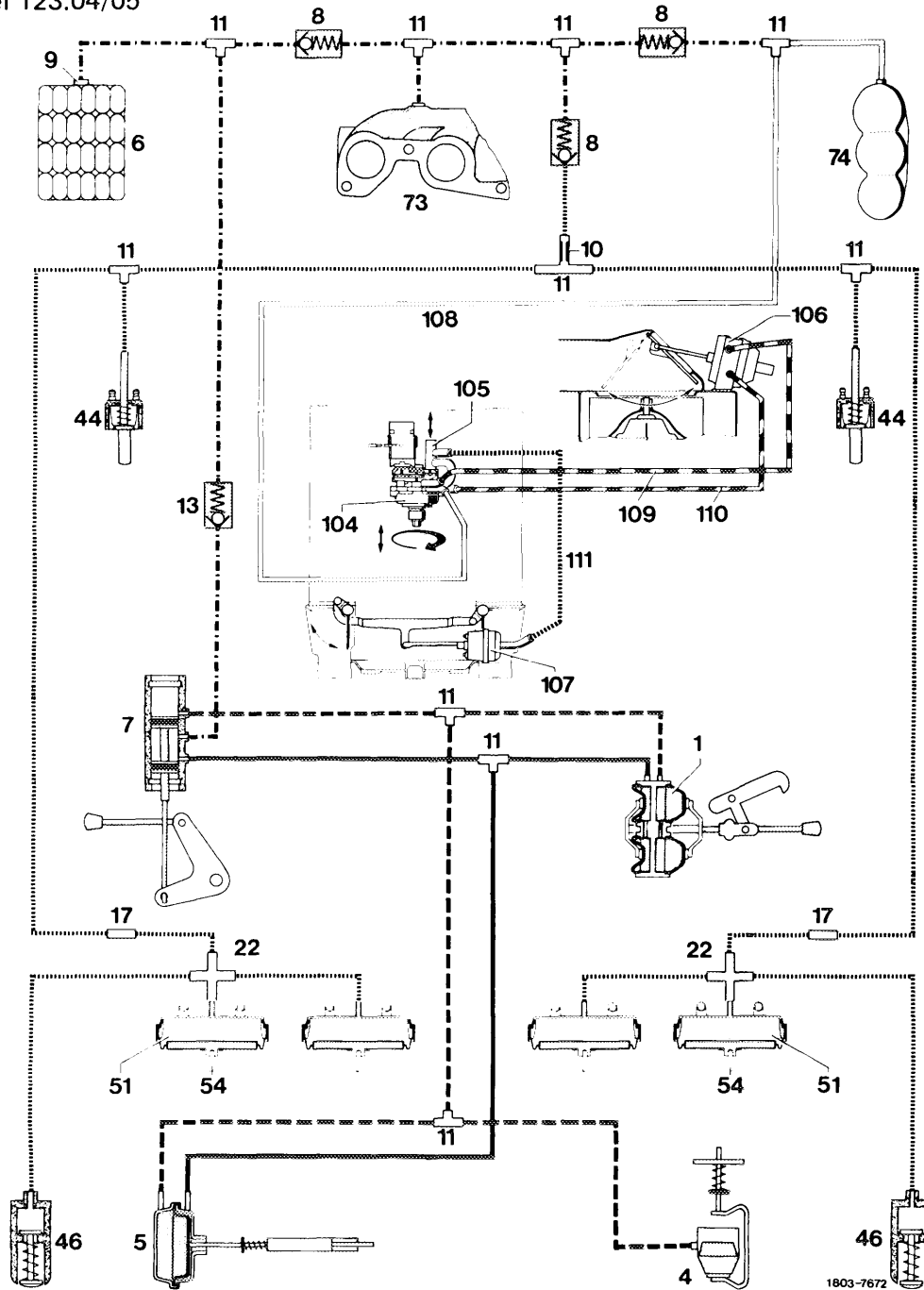


80-902 Functional diagram central and seat backrest locking system with air conditioning system

Model 123.04/05



- Locking line
- - - - - Unlocking line
- · - · - Suction line
- · · · · Control line
- Suction line (air conditioning system)
- · - · - Control line (cooling off)
- - - - - Control line (cooling on)

- 1 Vacuum element (front passenger's door)
- 4 Vacuum element (flap for tank filler neck)
- 5 Vacuum element (trunk lid)
- 6 Vacuum reservoir
- 7 Vacuum switch
- 8 Check valve
- 9 Seal
- 10 Choke
- 11 Distributor
- 22 Distributor
- 44 Door contact vacuum switch
- 46 Vacuum switch (backrest)
- 51 Vacuum element (seat)
- 54 Actuating rod
- 73 Suction pipe
- 74 Vacuum reservoir (air conditioning system)
- 104 Control line (cooling off)
- 105 Control line (cooling on)
- 106 Vacuum element right (air conditioning system)
- 107 Vacuum element left (air conditioning system)