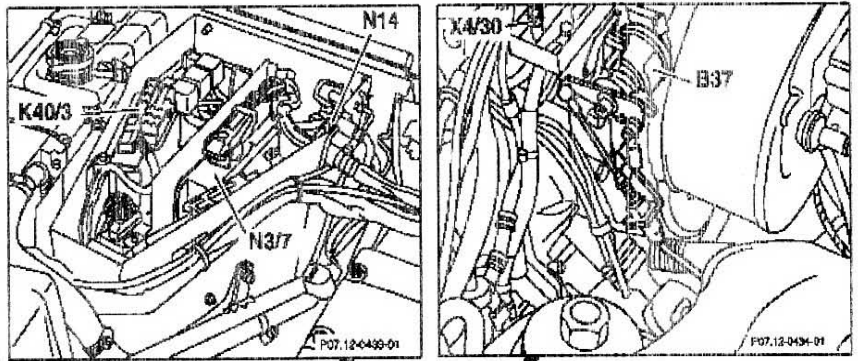
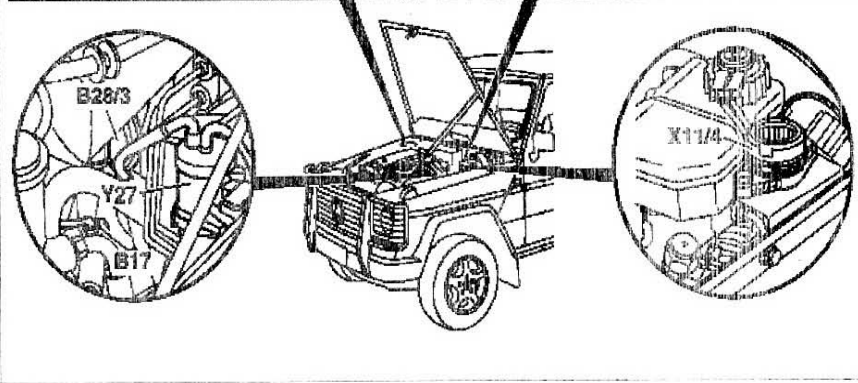


Arrangement of components (attached to vehicle)

Engine 606
Automatic transmission with cruise control



- B17 Intake air temperature sensor
- B28/3 EGR lift sensor
- B37 Pedal value sensor (=R25/2)
- K40/3 Diesel relay unit (horn, EGR, pressure control valve)
- N3/7 IFI control module
- N14 Preglow time relay (=N14/2)
- X4/30 Engine circuit 30 terminal block (external start terminal)
- X11/4 Data link connector
- Y27 EGR switchover valve (=Y31/1)

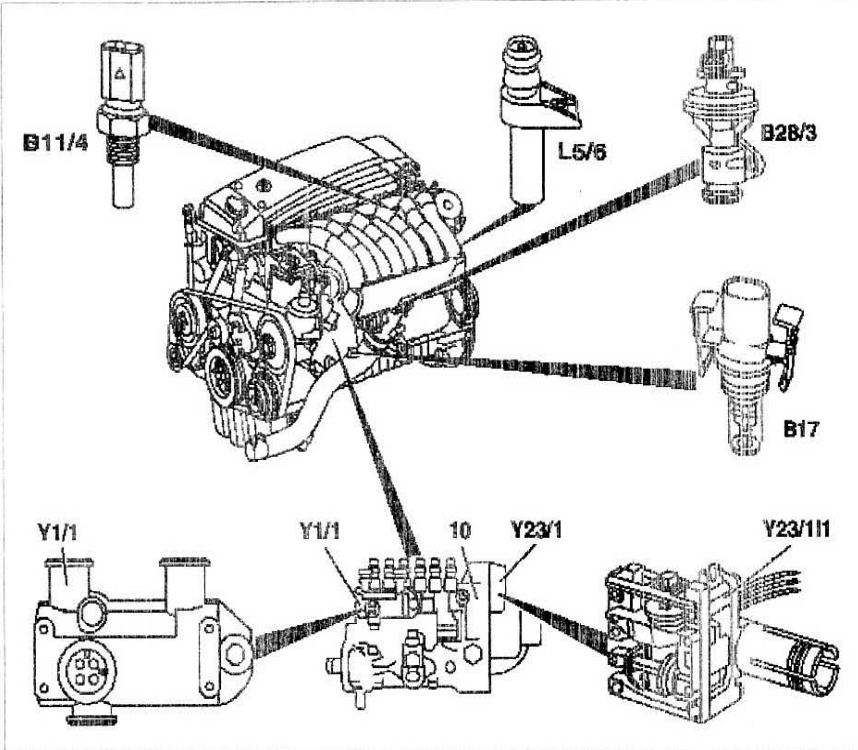


P07.12-0423-06

Arrangement of components (attached to engine)

Engine 606
Automatic transmission with cruise control

- B11/4 Coolant temperature sensor (=B14)
- B17 Intake air temperature sensor
- B28/3 EGR lift sensor
- L5/6 Crankshaft position sensor
- Y1/1 IFI electrohydraulic shutoff actuator
- Y23/1 IFI fuel metering control
- Y23/111 Fuel rack position sensor
- Y1/1 Electrohydraulic shutoff actuator
- 10 IFI inline injection pump



P07.12-0425-06