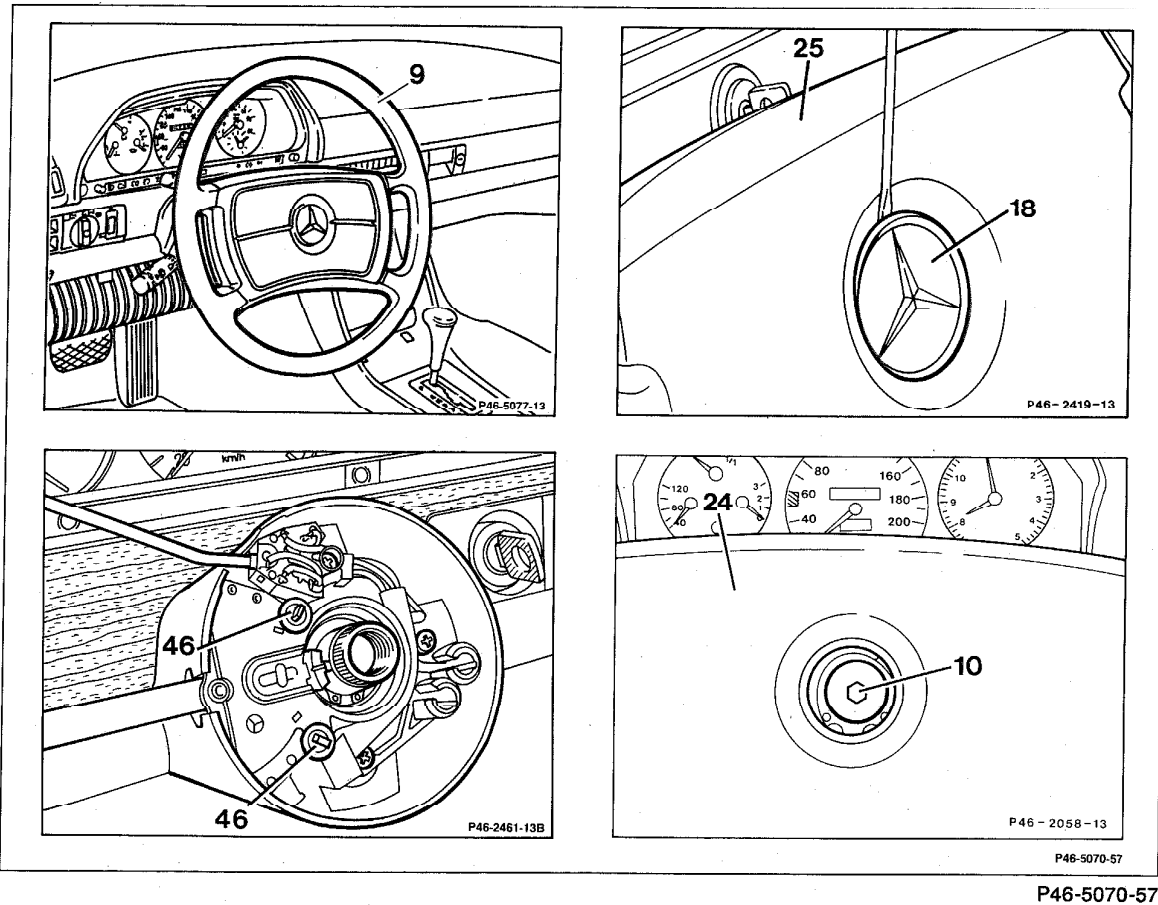


# 46-610 R and R steering wheel



- Steering wheel (9) ..... move to horizontal position, engage steering wheel lock.
- On vehicles **with** airbag
- Airbag unit ..... remove from steering wheel, install (91-660). **Observe safety precautions.**
- On vehicles **without** airbag
- Mercedes emblem (18) ..... remove from pad (25) with small screwdriver.
- Self-locking countersunk screw (10) ..... remove, screw in and replace, 80 Nm.
- Installation of steering wheel ..... mark in relation to steering spindle.

Steering wheel (9) ..... remove, check contact brushes (46) for horn.

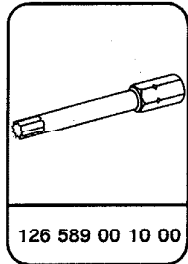
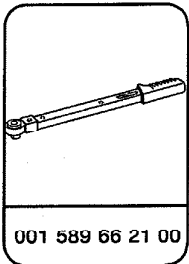
**On vehicles without airbag**

If contact brushes produce sliding noise, coat brass sliding tracks lightly with contact grease 331 or electrolube 2 GX.

**On vehicles with airbag**

The brass sliding tracks for the horn and airbag should **not** be lubricated **under any circumstances**. In the event of sliding noises check plastic jacketing for correct installation (91-660), otherwise **no** remedy.

**Special tools**



## 46-610 R and R steering wheel

---

### During test drive

**Check position of steering wheel with wheels pointing straight ahead.** If the steering wheel position does not coincide with the position of the front wheels when driving straight ahead, the steering wheel can be centered by moving it a maximum of 1 tooth from the mark on the splined shaft. If the straight-ahead position still does not coincide, adjust toe-in distribution between wheels starting with steering gear in center position.

### Check return position for turn signals

When the steering wheel is moved by more than 1 tooth the turn signal lever no longer self cancels reliably.

### On vehicles with airbag

Observe indicator lights with engine running and steering wheel at lock in both directions. The indicator light should not illuminate or flicker.

### Dirty or sticky steering wheels

can be cleaned with neutral domestic cleaners by washing the steering wheel off with a lukewarm solution of cleaning agent. Do not use scouring agents, because these damage the plastic foam covering.