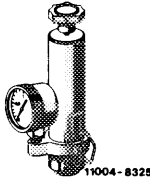
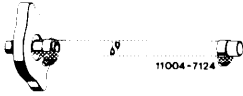



20–210 Removal and installation of coolant pump

Tightening torques	Model	Nm
Drain plug of radiator	116	6–10
	123, 126	1.5–2 ¹⁾
Viscofan coupling to coolant pump		20–25
Coolant pump to coolant pump housing		10

¹⁾ This torque can be obtained by means of a washer or a coin.

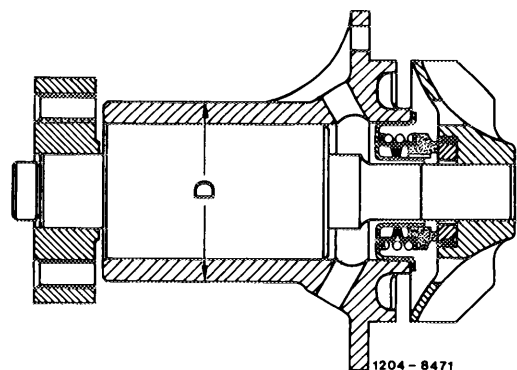
Special tools

Tester for cooling system		001 589 48 21 00
Radiator cap with hose for leak test		605 589 00 25 00
7 mm socket on flexible shaft for hose clamps		123 589 12 09 00

Note

Since October 1979 coolant pump part No. 110 200 01 20 is replaced by coolant pump part No. 115 200 00 20 as standard equipment, identified by smaller OD (D) of bearing housing of 48 mm (formerly 52 mm).

Reason: standardized with engines 615 and 616.



Start of series

Model	Engine	Engine end No.	Chassis end No.
116.120	617.950	015494	015164

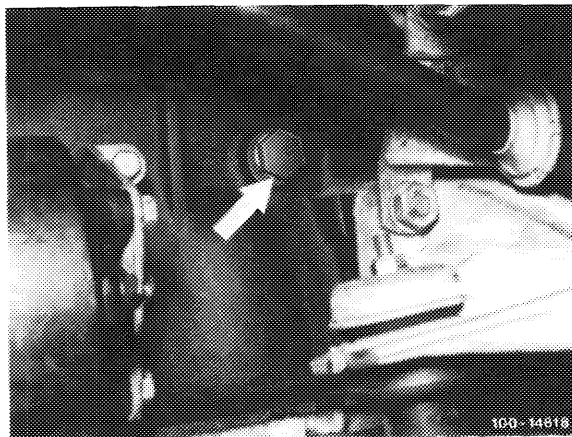
Attention!

Coolant pump 110 200 01 20 together with seal within scope of 110 200 09 20 are again available as a spare part.

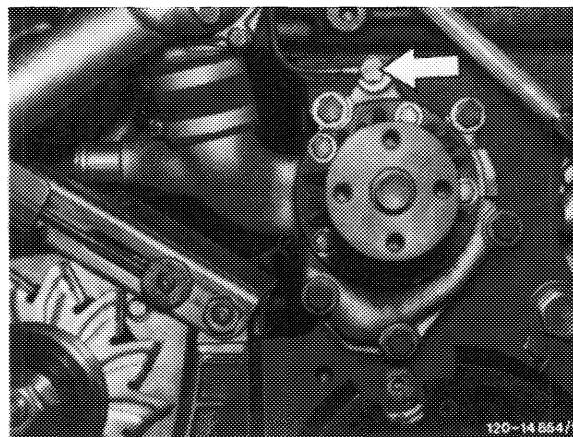
Removal

- 1 Completely drain coolant (20–010).
- 2 Remove fan with viscofan coupling.
- 3 Remove alternator V-belt and coolant pump pulley.

Drain plug on cylinder crankcase (arrow)



- 4 Unscrew coolant pump and remove.



Installation

- 5 Position coolant pump with new gasket and tighten fastening screws to 10 Nm.
- 6 For further installation proceed vice versa to removal.
- 7 Tension alternator V-belt (13–340).
- 8 Pressure-test cooling system with tester (approx. 1 bar gage pressure).