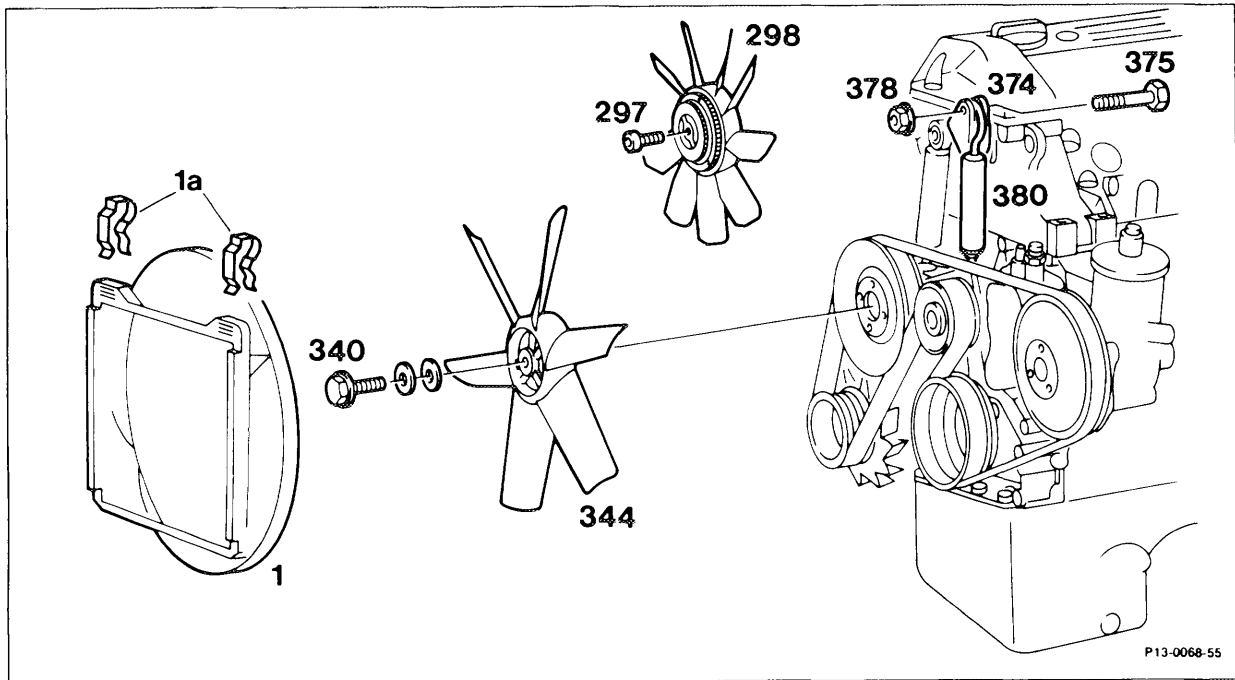


13-342 Removal and installation of poly V-belt



- | | |
|--|---|
| Fan shroud (1) | On engine 602 in model 201 remove, install with one-piece radiator fan shroud (20-420, Number 2).
On engine 602 in model 201 with divided fan shroud, remove, install fan shroud (Number 3). Detach fan shroud on engines 602 and 603 in model 124, place above fan. |
| Viscofan coupling (298) | unbolt, reinstall, remove together with fan shroud, bolt (297), 45 Nm.
Special tools 103 589 01 09 00 and 603 589 00 40 00. |
| Tension lever (374) and tension spring (380) | release, by removing nut (378), take out bolt (375) and remove poly V-belt, install and tension (Numbers 6 - 11). |

Caution!

Check poly V-belt section and tensioner for damage and contamination, replace if required.

Do not use belt wax or similar lubricant.

Check seating of poly V-belt.

Poly V-belt dimensions

Engine	Poly V-belt layout Length of poly V-belt in mm		
	A ¹⁾	B	C
602	-	2030	2100
603	-	2080	2145 (2120) ²⁾

¹⁾ Up to 09/85

²⁾ Engine 603.970

Note**Engine 602**

Poly V-belt of different material and revised design.

Engines 602.91 and 602.961

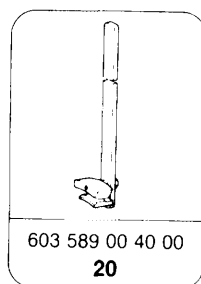
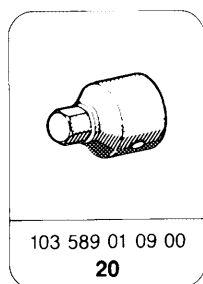
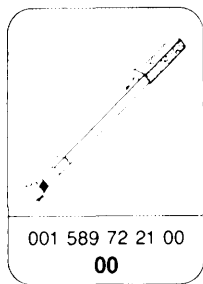
Poly V-belt (B drive) provided by additional manufacturer (Gates).

Production breakpoint: 04-08/88

Model	Engine	Engine end No.		Vehicle identification end No.	
		Manual transmission	Automatic transmission	A	F
201.126	602.911	062585-067051	013074-013739	*	*
201.128	602.961	-	002420-003680	*	*

* not recorded

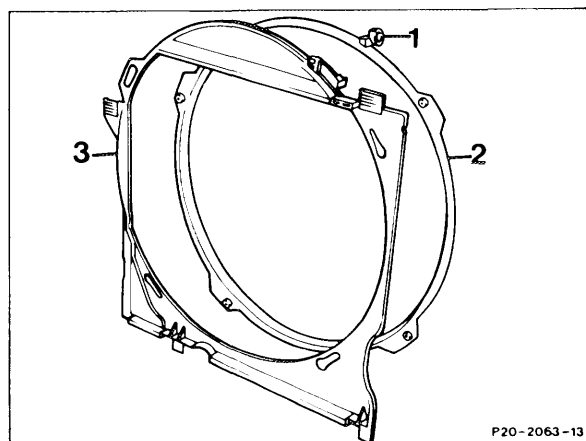
Special tools



Removal

1 Remove radiator with one-piece fan shroud on engine 602.911 in model 201 (20-420).

2 On engine 602 in model 201 with divided fan shroud, open and remove, by taking out locking pin (1) and turning ring (2) to the left. Place ring on the fan, pull out housing (3) and remove ring.

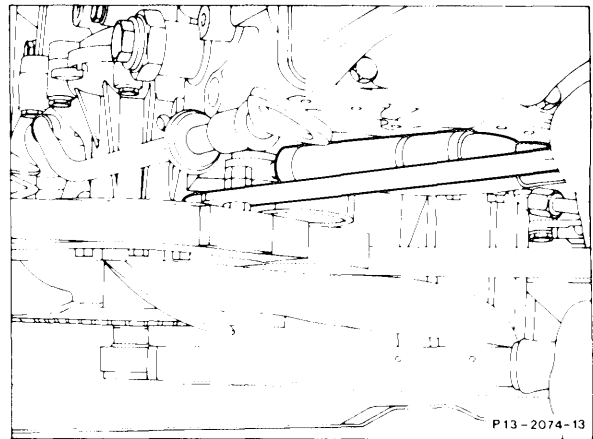


3 On engines 602 and 603 in model 124

Detach fan shroud and lay on the fan. Unscrew Viscofan coupling with fan and remove with fan shroud.

Use screw driver bit 103 589 01 09 00 and steady 603 589 00 40 00 in order to detach and tighten up the hexagon socket bolt for the Viscofan coupling.

4 On the engine 603.96 (TURBO) the Viscofan coupling cannot be removed without removing the radiator.

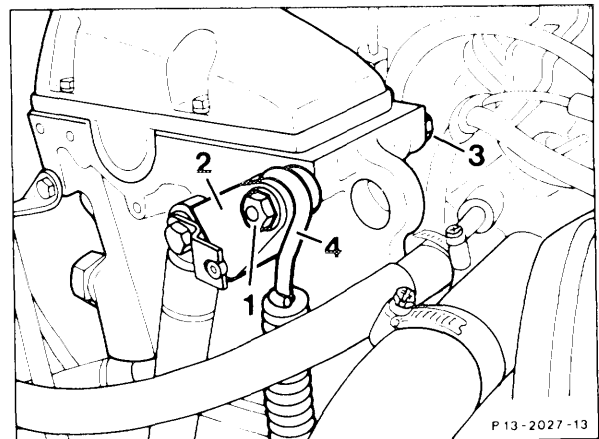


5 Detach tensioner, by unscrewing nut (378). Put a lever (12 - 13 mm dia., approx. 300 mm long) or rim wrench from vehicle tool kit in the hole in the spring tension lever (374). Press lever slightly to the left, until bolt (375) can be slid back in the direction of the manifold.

Release tension spring (380), by swinging lever to the right.

Remove poly V-belt, by pressing back the idler pulley.

Check poly V-belt section and tensioner for damage and contamination, replace if required (e.g. worn bearing points on tensioner, dents in pulley etc.).

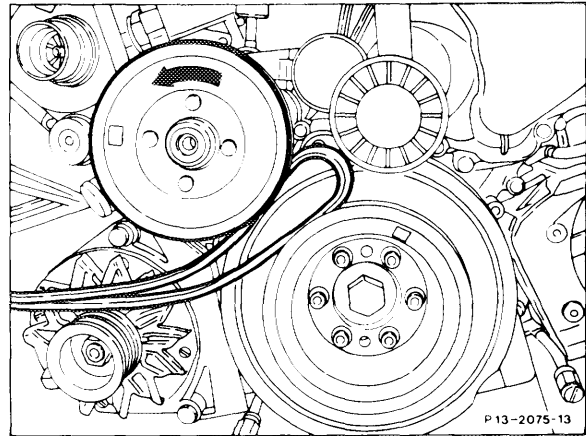


Putting on poly V-belt

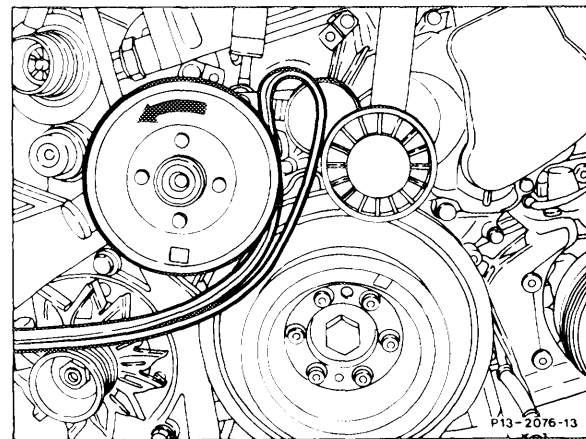
Caution!

Do not use any belt wax or similar products.

6 Raise idler pulley slightly. Turn poly V-belt on the back, form a small loop and slide between coolant pump pulley and crankshaft pulley.

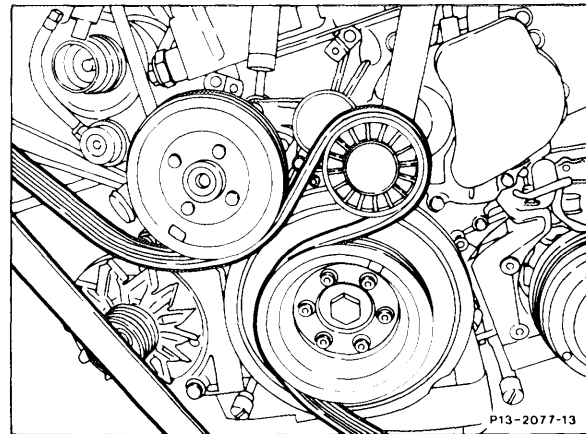


7 Press poly V-belt with the left hand firmly onto coolant pump pulley and turn this to the left (arrow) until poly V-belt rides up onto idler pulley.



8 Put poly V-belt on idler pulley and crankshaft pulley. Then rotate the free part of poly V-belt and place onto the refrigeration compressor, power steering pump, coolant pump and alternator pulley.

9 Tension poly V-belt and install tensioner.



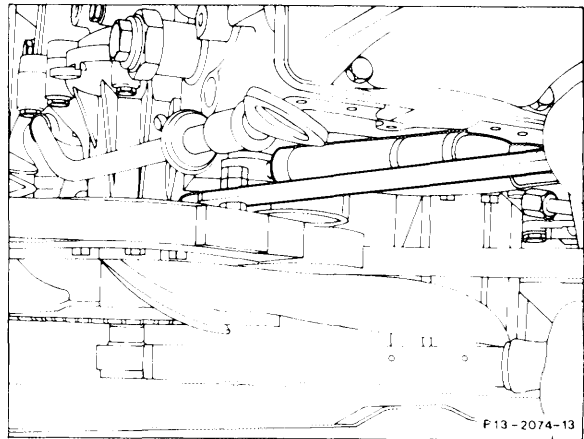
11 Check seating of poly V-belt on the pulleys.

12 On engine 602 in model 124 install fan or Viscofan coupling with fan and fan shroud.

Tightening torque of Viscofan coupling fixing bolt
45 Nm.

Use steady 603 589 00 40 00 for tightening up.

13 On engine 602.911 in model 201 install radiator (20-420) without divided fan shroud.



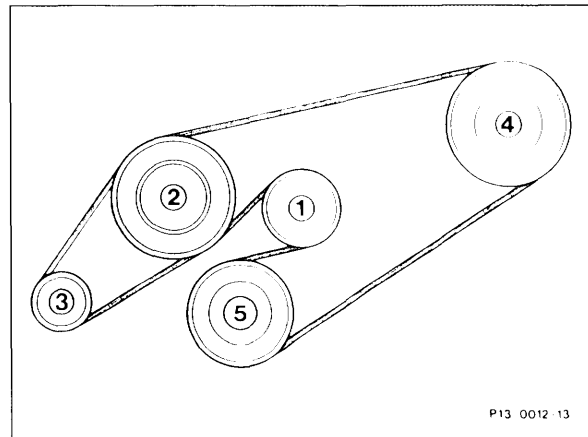
B Pulley layout on vehicles with power steering

Length of belt

Engine 602: 2030 mm

Engine 603: 2080 mm

- 1 Idler pulley
- 2 Crankshaft
- 5 Alternator
- 7 Power steering pump
- 8 Coolant pump



C Pulley layout on vehicles with power steering and refrigeration compressor

Length of belt

Engine 602: 2100 mm

Engine 603: 2145 mm

Engine 603.970: 2120 mm

- 1 Idler pulley
- 2 Crankshaft
- 3 Refrigeration compressor
- 5 Alternator
- 7 Power steering pump
- 8 Coolant pump

