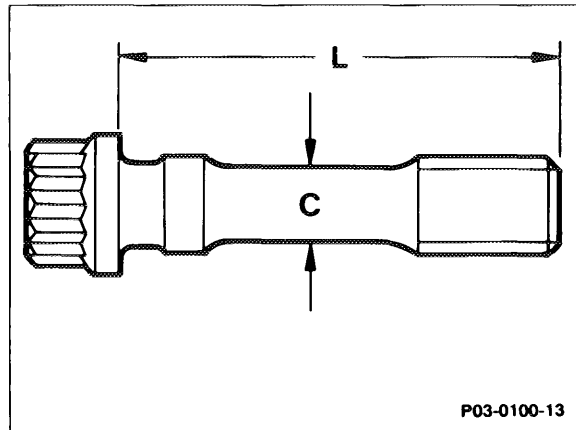


03-310 Checking, replacing and tightening connecting rod bolts



- Stretch bolt dia. (dimension c) measure, minimum dia. = 7.1 mm.
If shaft dia. is less than 7.1 mm replace connecting rod bolts.
- Threads on connecting rod bolts oil.
- Connecting rod bolts initially tighten to 30 Nm and then tighten to rotation angle of 90 - 100°.

⚠ Warning

Do not use torque wrench with flexible shaft for rotation angle tightening.

Note

Estimate angle of rotation. For this purpose insert adjustable torque wrench in break position (locked) into ratchet.

Position adjustable torque wrench with plug-in ratchet lengthwise in relation to engine and continue to turn until it is transverse in relation to engine.

Dimensions

Part No.	102 038 00 71
Thread	M 9 × 1
Necked down shaft dia. (c) in new condition	7.4 – 0.1
Minimum necked down shaft dia. (c)	7.1
Length (L) in new condition	52 – 0.3

Tightening torques and rotation angles

Initial tightening torque	30 Nm
Rotation angle	90 – 100°

Special tool

