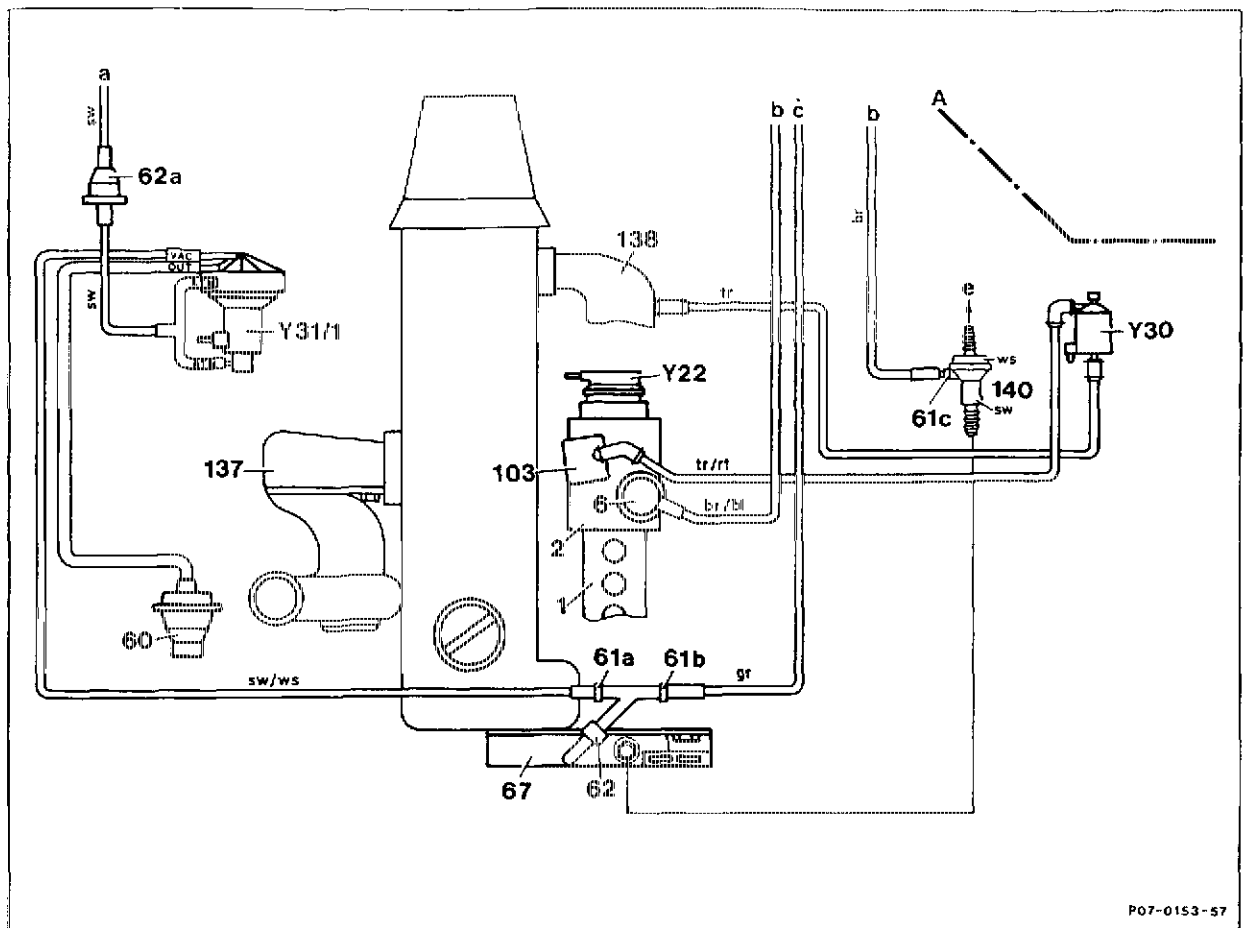


P07-0152-57

**Vacuum Line Routing Engine 602.96 with Manual Transmission,
Models 124, 201 (Standard)**

1	Injection pump	138	Charge air distributor
2	Governor	Y22	Actuator
6	Stop unit	Y30	Switchover valve, engine overload protection
61c	Restriction \varnothing 0.5 mm	b	Key shut-off
62	Filter	c	Other ancillaries
67	Vacuum pump	e	To brake booster
103	ALDA unit		
137	Turbocharger		



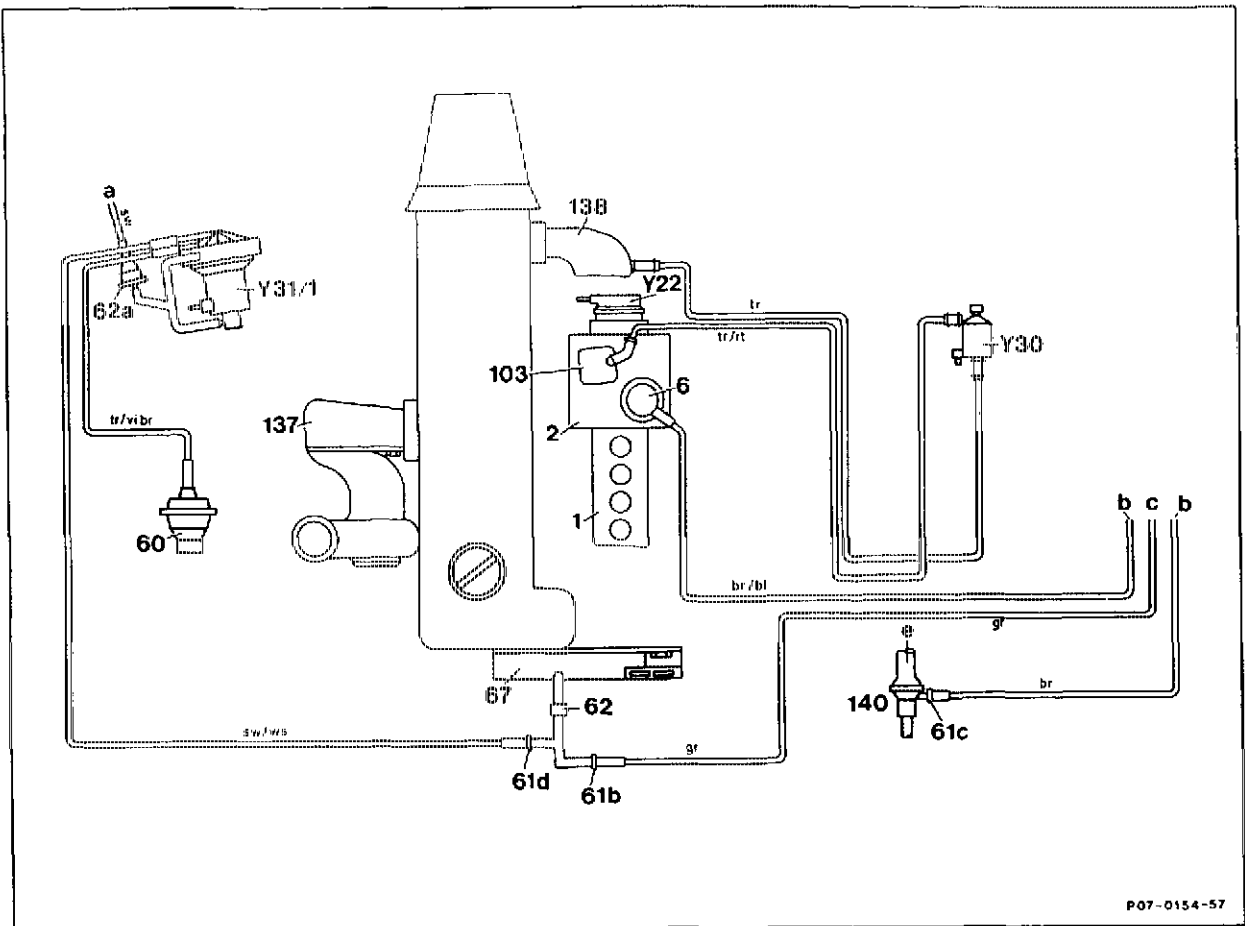
P07-0153-57

**Vacuum Line Routing (EDS) Engine 602.962 with Manual Transmission,
Model 124 (A) (FIN)**

- 1 Injection pump
- 2 Governor
- 6 Vacuum unit stop
- 60 Exhaust gas recirculation valve
- 61a Restriction
- 61b Restriction
- 61c Restriction Ø 0.5 mm
- 62 Filter
- 62a Filter
- 67 Vacuum pump
- 103 ALD/A unit
- 137 Exhaust gas turbocharger
- 138 Charge air distribution pipe
- 140 Non-return valve – brake booster

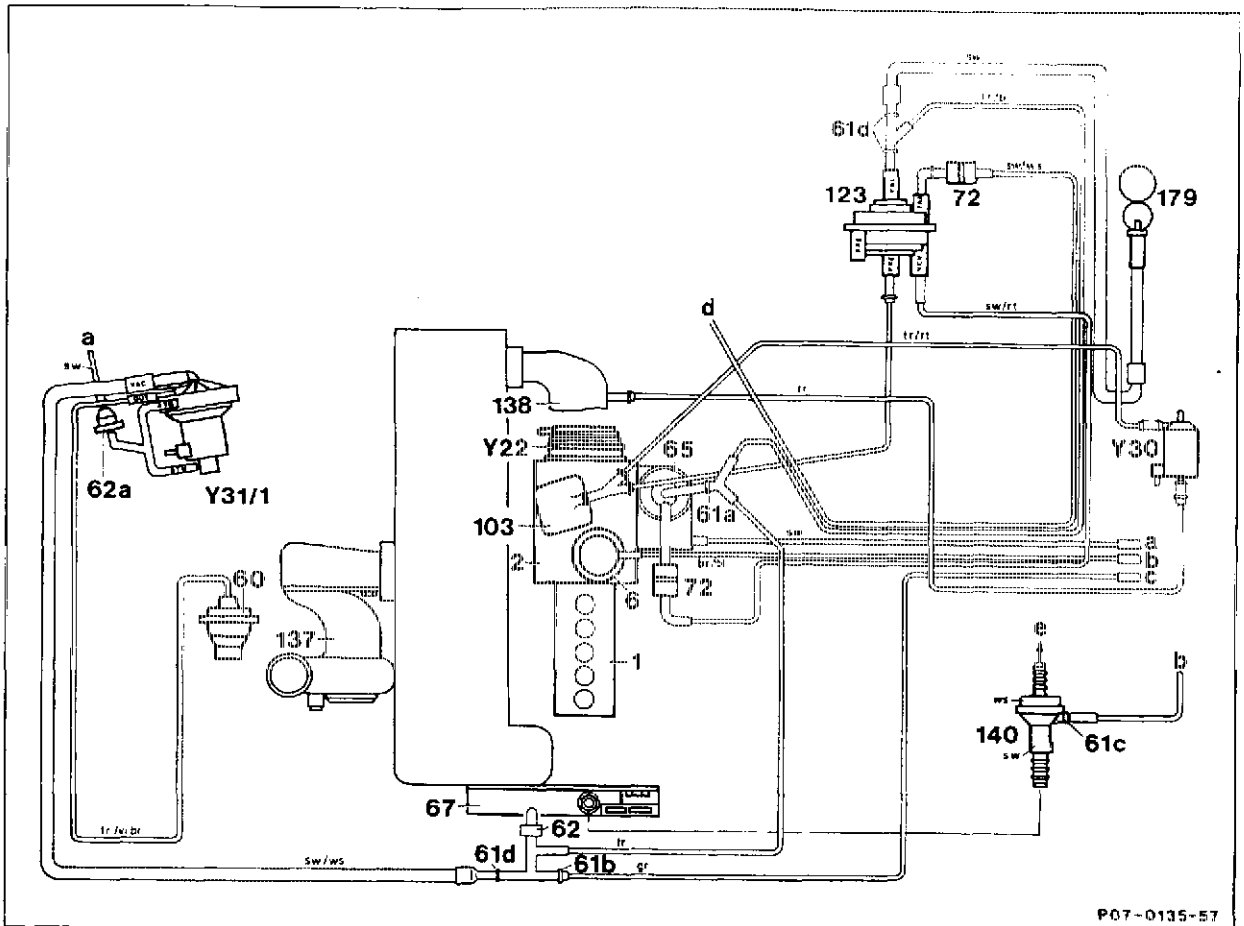
- Y22 ELR actuator
- Y30 Switchover valve, engine overload protection
- Y31/1 Vacuum transducer, exhaust gas recirculation valve
- a Ventilation to passenger compartment
- b Key shut-off
- c Other ancillaries
- e Brake booster
- A Partition wall

- Pressure and vacuum connections to vacuum transducer or vacuum amplifier
- VAC Vacuum from vacuum pump
- ATM Ventilation to passenger compartment
- OUT Exhaust gas recirculation to exhaust gas recirculation valve or air recirculating valve



Vacuum Line Routing (EDS) Engine 602.961 with Manual Transmission,
Model 201 (A) (PIN)

1	Injection pump	140	Non-return valve – brake booster
2	Governor	Y22	ELR actuator
6	Stop unit	Y30	Switchover valve, engine overload protection
60	Exhaust gas recirculation valve	Y31/1	Pressure transducer, exhaust gas recirculation valve
61b	Restriction	a	Ventilation to passenger compartment
61c	Restriction Ø 0.5 mm (orange)	b	Key shut-off
61d	Connector piece	c	Other ancillaries
62	Filter	e	Brake booster
62a	Filter 000 078 06 56		
67	Vacuum pump		
103	ALDA unit		
137	Exhaust gas turbocharger		
138	Charge air distribution pipe		
			Pressure and vacuum connections to vacuum transducer or vacuum amplifier
		VAC	Vacuum from vacuum pump
		ATM	Ventilation to passenger compartment
		OUT	Exhaust gas recirculation to exhaust gas recirculation valve



P07-0135-57

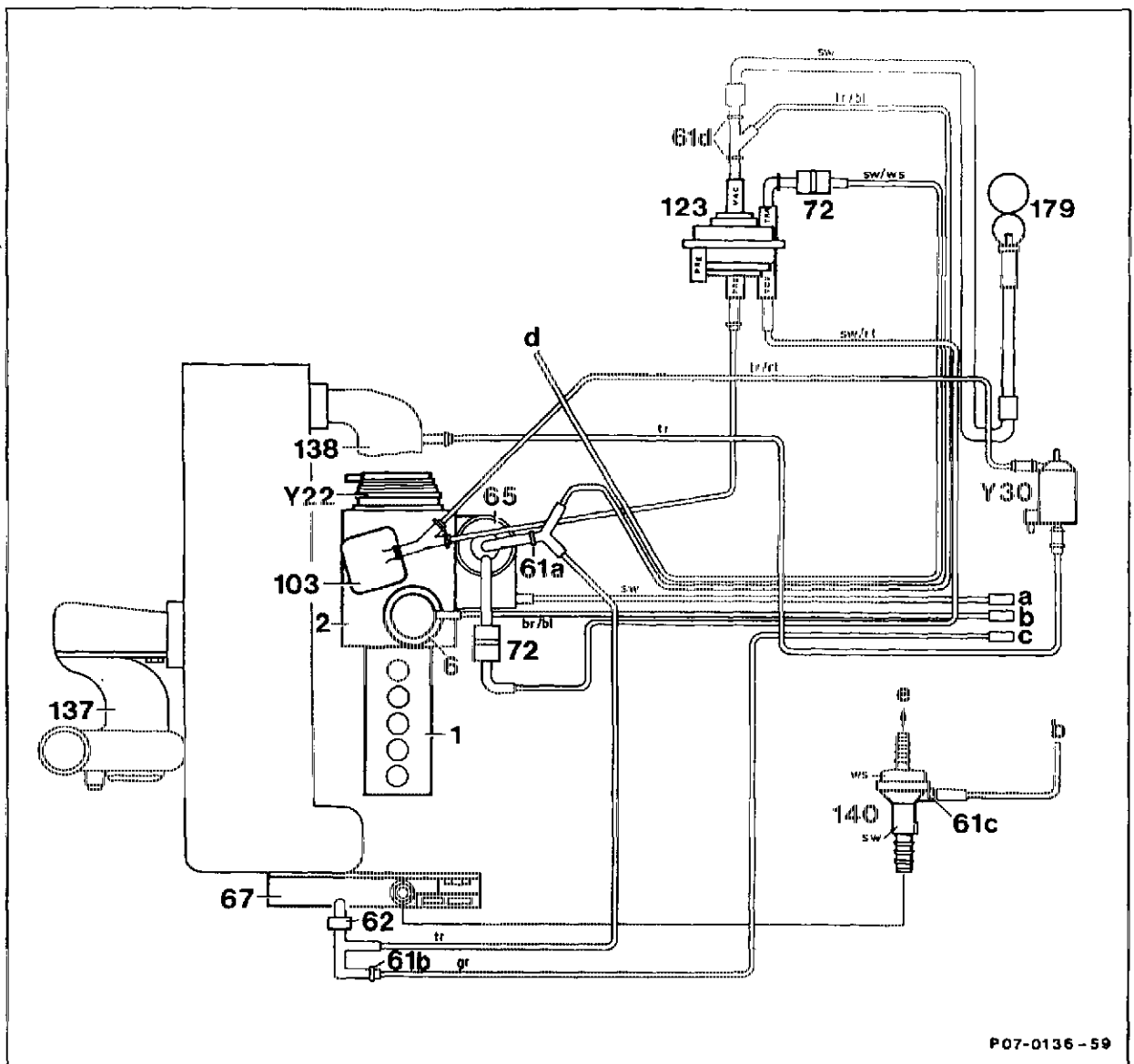
**Pressure and Vacuum Line Routing (EDS) Engine 602.961,
Model 201 (A) (FIN)**

- 1 Injection pump
- 2 Governor
- 6 Stop unit
- 60 Exhaust gas recirculation valve
- 61a Restriction
- 61b Restriction
- 61c Restriction \varnothing 0.5 mm (orange)
- 61d Connector piece
- 62 Filter
- 62a Filter
- 65 Vacuum control valve
- 67 Vacuum pump
- 72 Damper
- 103 ALDA unit
- 123 Vacuum amplifier
- 137 Exhaust gas turbocharger
- 138 Charge air distribution pipe
- 140 Non-return valve - brake booster
- 179 Vacuum reservoir

- Y22 ELR actuator
- Y30 Switchover valve, engine overload protection
- Y31/1 Vacuum transducer, exhaust gas recirculation valve
- a Ventilation to passenger compartment
- b Key shut-off
- c Other ancillaries
- d Vacuum unit, automatic transmission
- e Brake booster

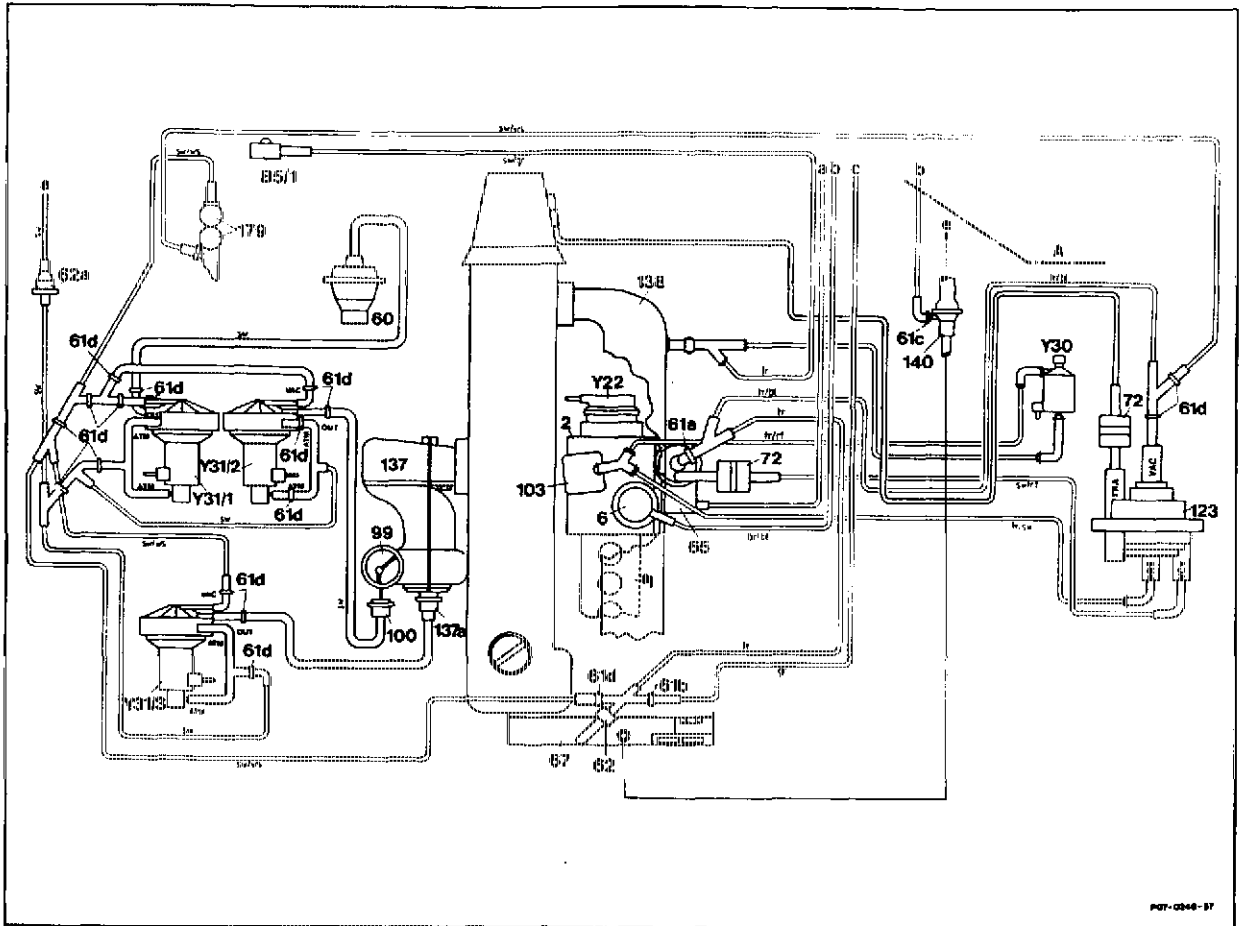
Pressure and vacuum connections to vacuum transducer or vacuum amplifier

- PRE Charge pressure from ALDA unit
- TRA To vacuum unit, automatic transmission
- VAC Vacuum from vacuum pump
- VCV To vacuum control valve
- ATM Ventilation to passenger compartment
- OUT Exhaust gas recirculation to exhaust gas recirculation valve



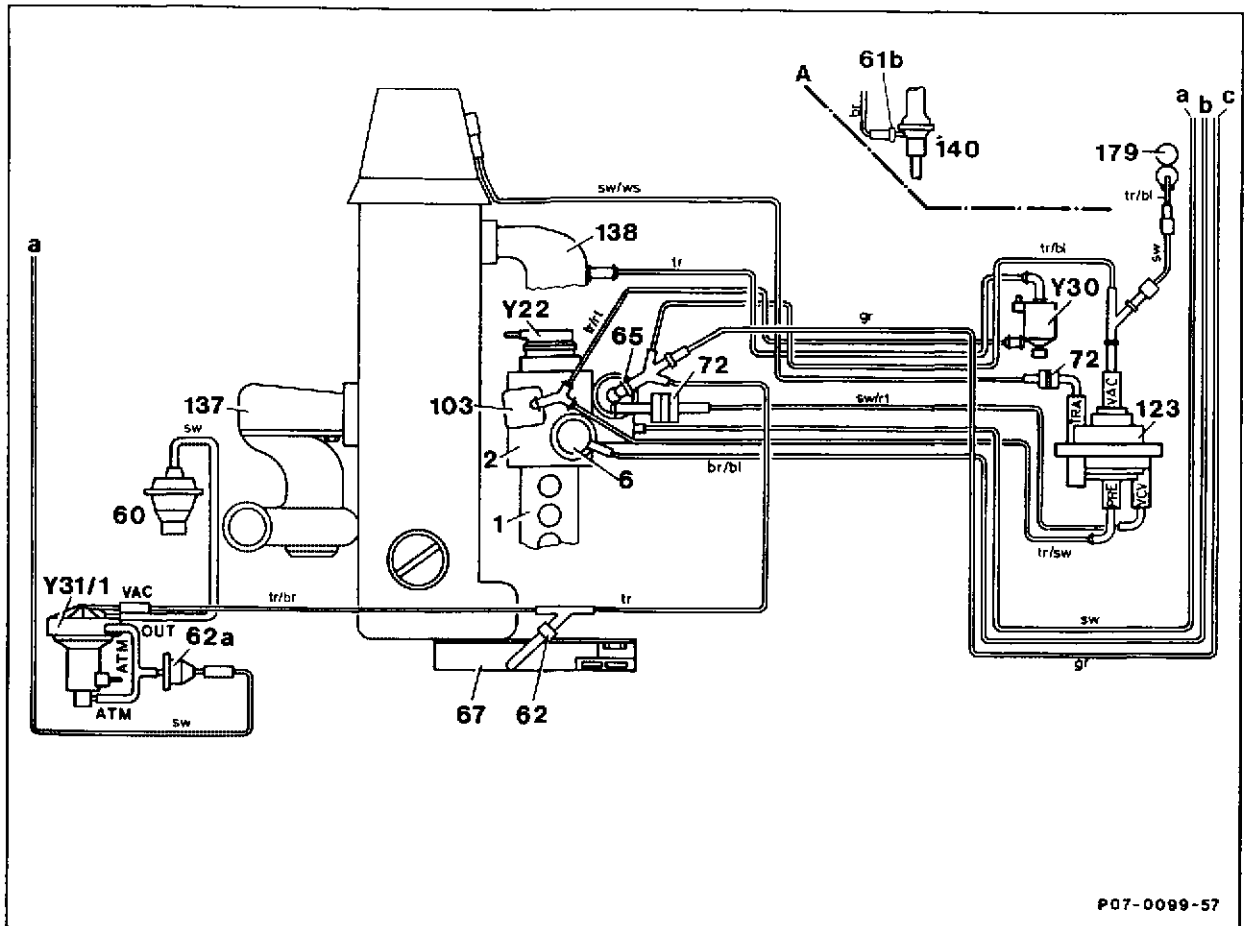
**Vacuum Line Routing (EDS) Engine 602.961 with Automatic Transmission,
Model 201 (Standard)**

1	Injection pump	179	Vacuum reservoir (in left front wheelhouse behind plastic cover)
2	Governor	Y22	ELR actuator
6	Stop unit	Y30	Switchover valve, engine overload protection
61a	Restriction	a	Ventilation to passenger compartment
61b	Restriction	b	Key shut-off
61c	Restriction	c	Other ancillaries
62	Filter	d	To vacuum unit, automatic transmission
65	Vacuum control valve		Pressure and vacuum connections to vacuum transducer or vacuum amplifier
67	Vacuum pump	PRE	Charge pressure
72	Damper	TRA	Transmission
103	ALDA unit	VAC	Vacuum
123	Vacuum amplifier	VCV	Vacuum control valve
137	Turbocharger		
138	Charge air distributor		
140	Non-return valve - brake booster		



Vacuum Line Routing (EDS) Engine 602.962, (USA) Model Year 1990
and (CH) (DK) Model Year 1991

1	Injection pump	Y30	Switch-over valve, engine overload protection
2	Governor	Y31/1	ARF vacuum transducer
6	Stop unit	Y31/2	Vacuum transducer, pressure control flap
60	Exhaust gas recirculation valve	Y31/3	Vacuum transducer, charge pressure control
61a	Restriction	A	Partition wall
61b	Restriction	a	Ventilation to passenger compartment
61d	Connector piece (without restriction)	b	Key shut-off
62	Filter	c	Other ancillaries
62a	Filter	e	Brake booster
65	Vacuum control valve		
67	Vacuum pump		
72	Damper		
103	ALDA unit	TRA	Pressure and vacuum connections to vacuum transducer or vacuum amplifier
123	Vacuum amplifier	VAC	To vacuum unit, automatic transmission
137	Exhaust gas turbocharger	VCV	To vacuum control valve
137a	Vacuum unit, charge pressure control valve	ATM	Ventilation to passenger compartment
138	Charge air distribution pipe	OUT	Output from vacuum transducer (Y31/1) to ARF valve
140	Non-return valve - brake booster	OUT	Output from vacuum transducer (Y31/2) to vacuum unit, vacuum control flap
179	Vacuum reservoir	OUT	Output from vacuum transducer (Y31/3) to vacuum unit, charge pressure control valve
B5/1	Pressure sensor (EDS)		
Y22	ELR actuator		



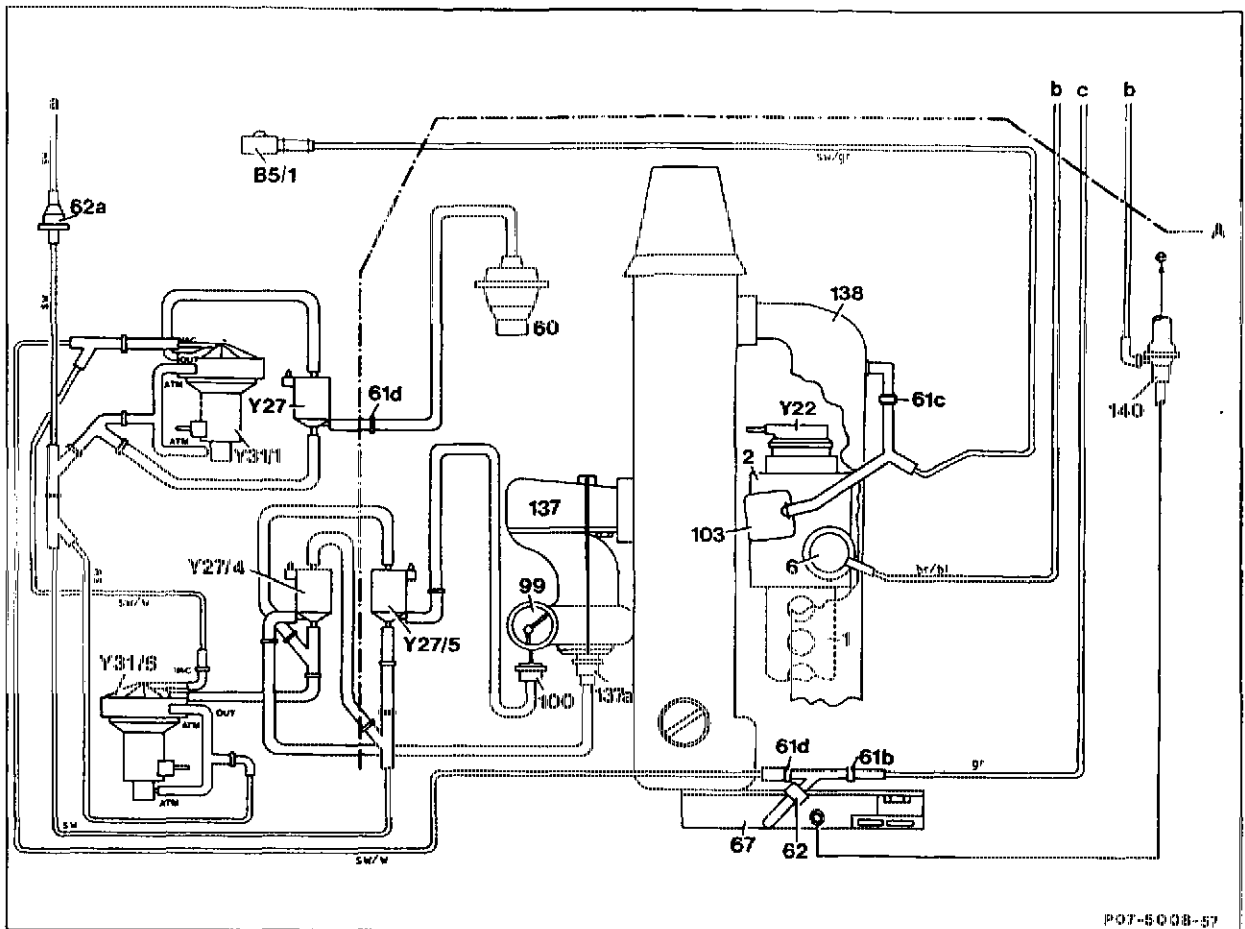
P07-0099-57

Vacuum Line Routing (EDS) Engine 603.970, (USA) Model Year 1990

- 1 Injection pump
- 2 Governor
- 6 Stop unit
- 60 Exhaust gas recirculation valve
- 61b Restriction
- 62 Filter
- 62a Filter
- 65 Vacuum control valve
- 67 Vacuum pump
- 72 Damper
- 103 ALDA unit
- 123 Vacuum amplifier
- 137 Exhaust gas turbocharger
- 138 Charge air distribution pipe
- 140 Non-return valve - brake booster

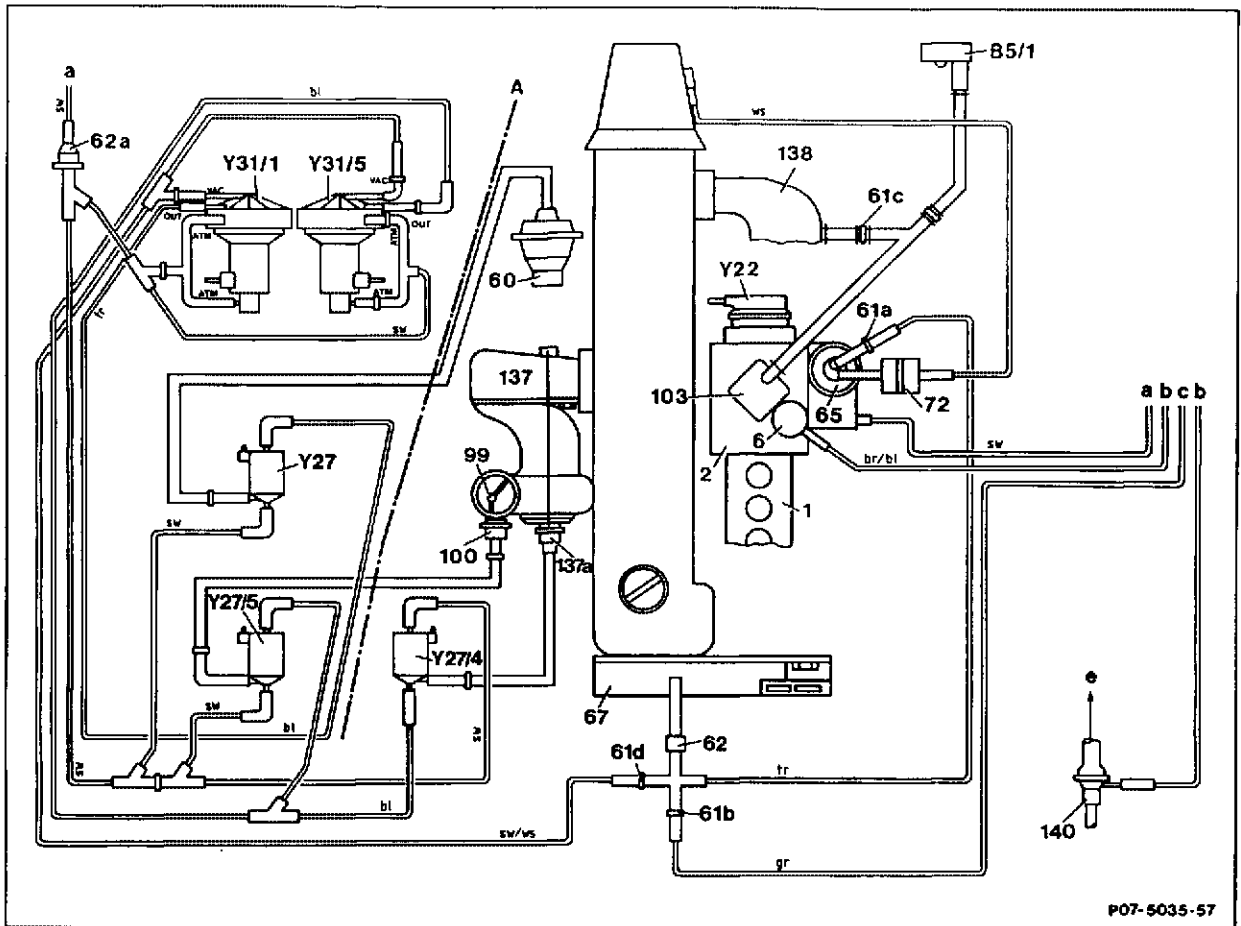
- 179 Vacuum reservoir
- Y22 ELR actuator
- Y30 Switchover valve, engine overload protection
- Y31/1 ARF vacuum transducer
- A Partition wall
- a Ventilation to passenger compartment
- b Key shut-off
- c Other ancillaries

- Pressure and vacuum connections to vacuum transducer or vacuum amplifier
- TRA To vacuum unit, automatic transmission
- VAC Vacuum from vacuum pump
- VCV To vacuum control valve
- ATM Ventilation to passenger compartment
- OUT Exhaust gas recirculation to exhaust gas recirculation valve



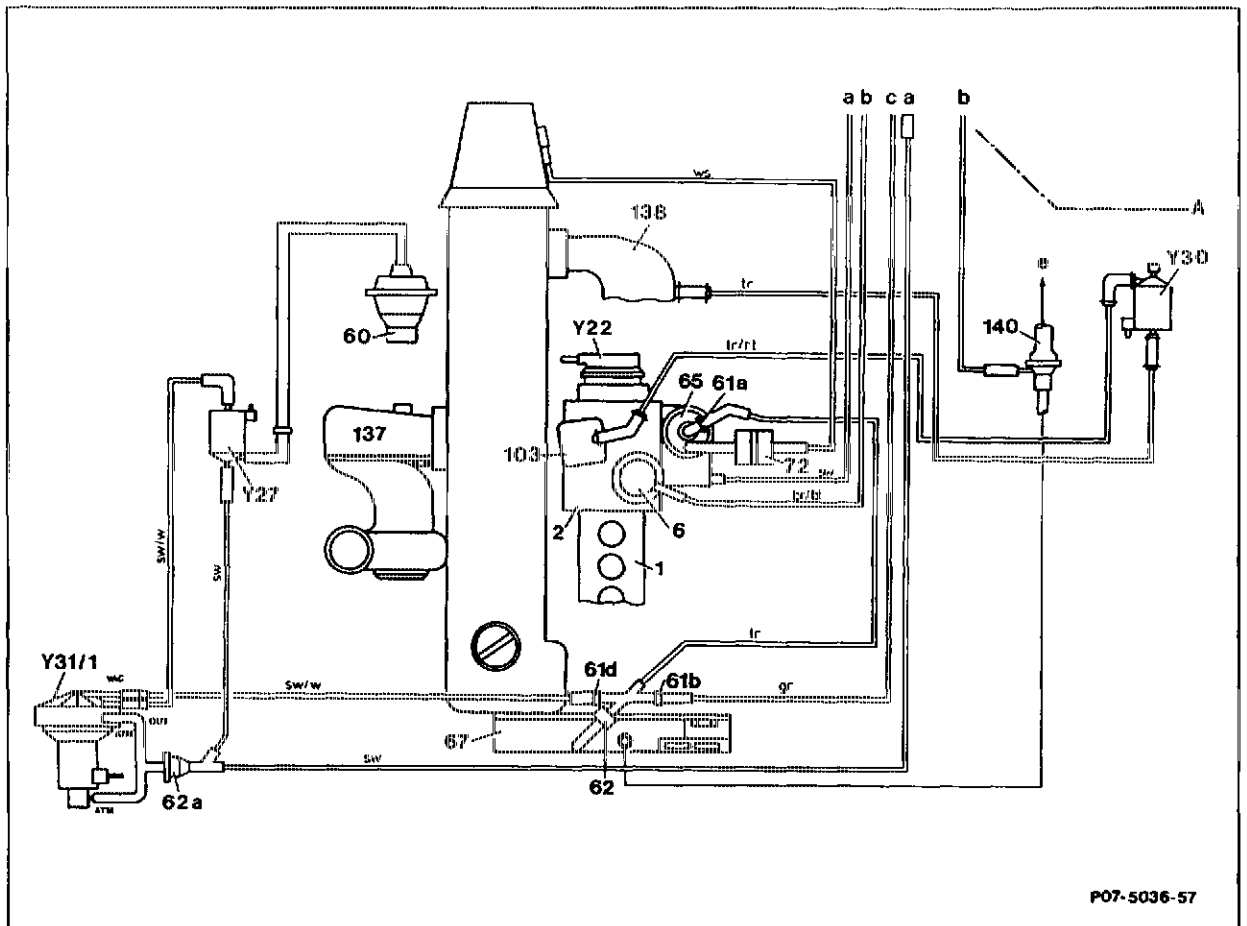
Vacuum Line Routing (EDS) Engine 602.96 with Manual Transmission Model 124, Basic Version Code 62/0 as of 06/91, (A) (FIN) Model Year 1992

1	Injection pump	Y27/5	Vacuum control flap switchover valve
2	Governor	Y31/1	ARF vacuum transducer
6	Vacuum Stop unit	Y31/5	Boost pressure control/vacuum control flap vacuum transducer
60	Exhaust gas recirculation valve	A	Partition wall
61b	Restriction	a	Fresh air flow to passenger compartment
61d	Connector (without restriction)	b	Key-operated engine stop
62	Filter	c	Other ancillaries
62a	Filter	e	Brake booster
67	Vacuum pump		
99	Vacuum control flap		
100	Vacuum control flap vacuum unit		
103	ALDA unit		
137	Exhaust gas turbocharger		
137a	Boost pressure control valve vacuum unit		
138	Charge air distribution pipe		
140	Non-return valve, brake booster		
B5/1	EDS pressure sensor		
Y22	ELR actuator		
Y27	ARF switchover valve		
Y27/4	Boost pressure control switchover valve		
			Pressure and vacuum connections at vacuum transducer
		VAC	Vacuum from vacuum pump
		ATM	Fresh air flow to passenger compartment
		OUT	Outlet from vacuum transducer (Y31/1) to ARF switchover valve
		OUT	Outlet from vacuum transducer (Y31/5) to: -- vacuum control flap switchover valve -- boost pressure control switchover valve



Vacuum Line Routing (EDS) Engine 602.96 with Automatic Transmission Model 201, Basic Version Code 62/0 as of 06/91, (A) (FIN) Model Year 1992

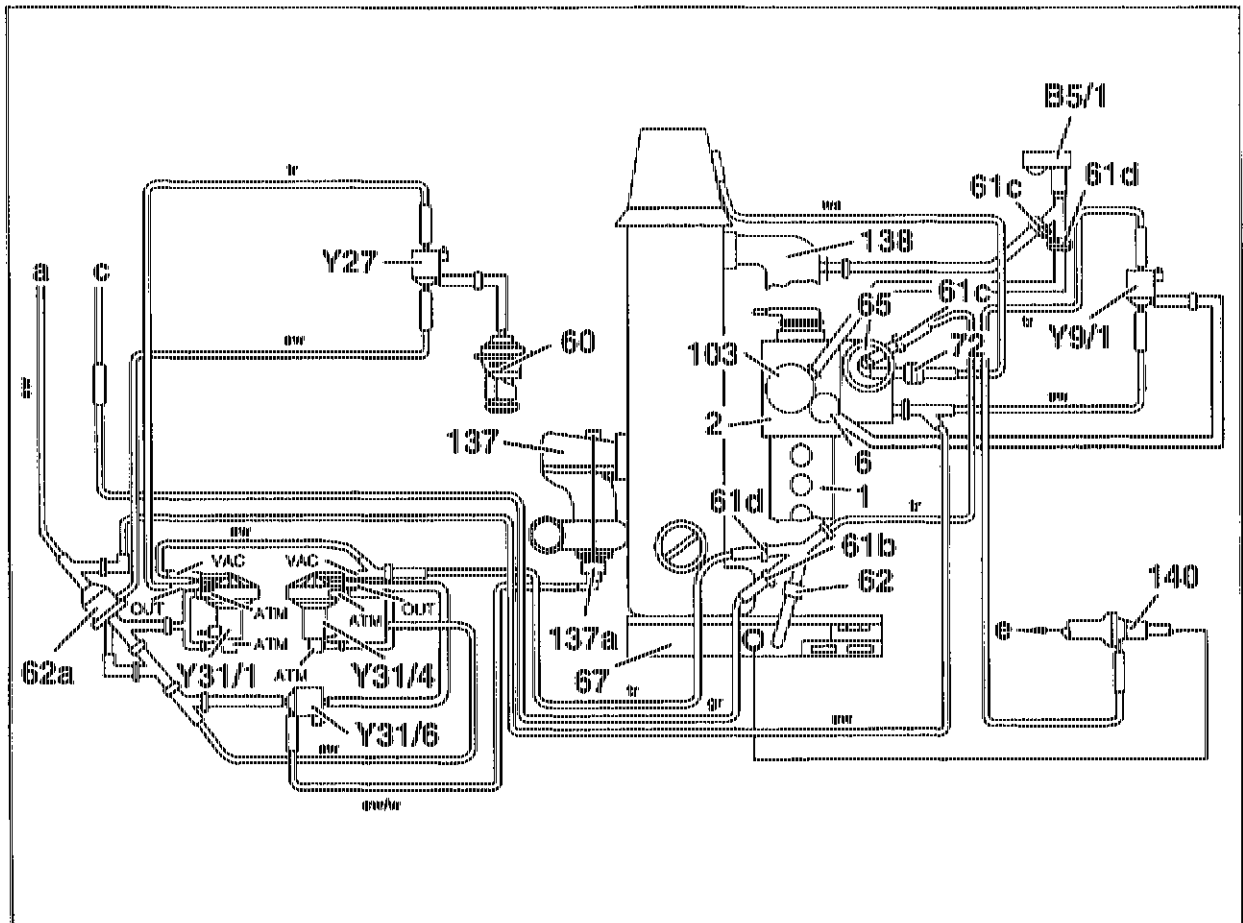
1	Injection pump	Y27/4	Boost pressure control switchover valve
2	Governor	Y27/5	Vacuum control flap switchover valve
6	Vacuum Stop unit	Y31/1	ARF vacuum transducer
60	Exhaust gas recirculation valve	Y31/5	Boost pressure control/vacuum control flap vacuum transducer
61a	Restriction	A	Partition wall
61b	Restriction	a	Fresh air flow to passenger compartment
61c	Restriction	b	Key-operated engine stop
61d	Connector (without restriction)	c	Other ancillaries
62	Filter	e	Brake booster
62a	Filter		
65	Vacuum control valve		
67	Vacuum pump		
72	Damper		
99	Vacuum control flap		
100	Vacuum control flap vacuum unit		
103	ALDA unit		
137	Exhaust gas turbocharger		
137a	Boost pressure control valve vacuum unit		
138	Charge air distribution pipe		
140	Non-return valve, brake booster		
B5/1	EDS pressure sensor		
Y22	ELR actuator		
Y27	ARF switchover valve		
			Pressure and vacuum connections at vacuum transducer
		VAC	Vacuum from vacuum pump
		ATM	Fresh air flow to passenger compartment
		OUT	Outlet from vacuum transducer (Y31/1) to ARF switchover valve
		OUT	Outlet from vacuum transducer (Y31/5) to:
			- vacuum control flap switchover valve
			- boost pressure control switchover valve



P07-5036-57

Vacuum Line Routing (EDS) Engine 603.96 with Automatic Transmission Model 124, Basic Version Code 62/0 as of 06/91, (A) (FIN) (J) Model Year 1992

1	Injection pump	Y22	ELR actuator
2	Governor	Y30	Engine overload protection switchover valve
6	Vacuum Stop unit	Y31/1	ARF vacuum transducer
60	Exhaust gas recirculation valve	A	Partition wall
61b	Restriction	a	Fresh air flow to passenger compartment
61d	Restriction	b	Key-operated engine stop
62	Filter	c	Other ancillaries
62a	Filter	e	Brake booster
65	Vacuum control valve		Pressure and vacuum connections at vacuum transducer
67	Vacuum pump	VAC	Vacuum from vacuum pump
72	Damper	ATM	Fresh air flow to passenger compartment
103	ALDA unit	OUT	Outlet to vacuum transducer (Y31/1) to ARF valve
137	Exhaust gas turbocharger		
138	Charge air distribution pipe		
140	Non-return valve, brake booster		



P07.11-0205-57

Vacuum Line Routing (EDS) Engine 603.971 with Automatic Transmission Model 140, (USA)
Model Year 1992

1	Injection pump	Y27	ARF switchover valve
2	Governor	Y31/1	ARF vacuum transducer
6	Stop unit	Y31/4	Boost pressure control vacuum transducer
60	Exhaust gas recirculation valve	Y31/6	Boost pressure shutoff switchover valve
61b	Restriction	a	Fresh air flow to passenger compartment
61c	Restriction	c	Other ancillaries
61d	Connector	e	Brake booster
62	Filter		
62a	Filter		
65	Vacuum control valve		
67	Vacuum pump		
103	ALDA unit		
137	Exhaust gas turbocharger		
137a	Boost pressure control valve vacuum unit		
138	Charge air distribution pipe		
140	Non-return valve, brake booster		
B5/1	EDS pressure sensor		
Y9/1	Key-operated engine stop switchover valve		
Y22	ELR actuator		
			Pressure and vacuum connections at vacuum transducer
		VAC	Vacuum from vacuum pump
		ATM	Fresh air flow to passenger compartment
		OUT	Outlet from vacuum transducer (Y31/1) to exhaust gas recirculation valve
		OUT	Outlet from vacuum transducer (Y31/4) to switchover valve (Y31/6) or to boost pressure control valve vacuum unit