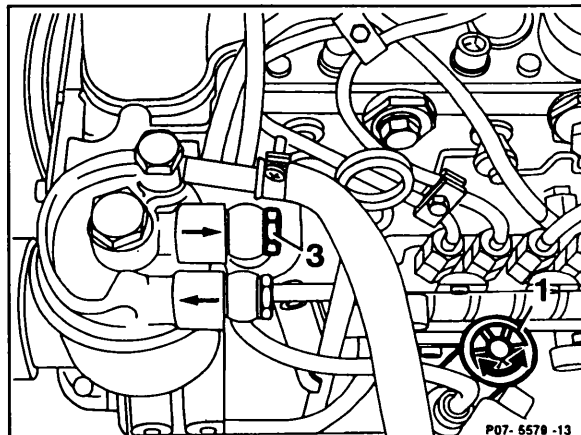


Diesel engines

Loosen mounting screw (1) and remove housing with filter element in downward direction.



Engine 616, 617

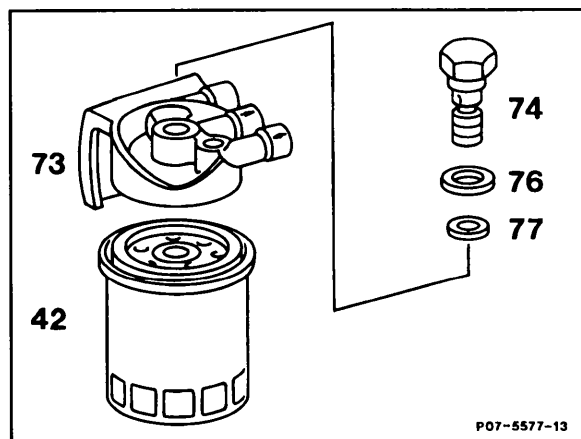
Install new filter element with housing (3) and gasket (4).

Bleeding fuel system

Engines 616, 617

Fuel filter

Loosen hollow bolt (3, upper illustration) and using hand pump, pump manually until fuel flows out free of bubbles. Retighten hollow bolt.



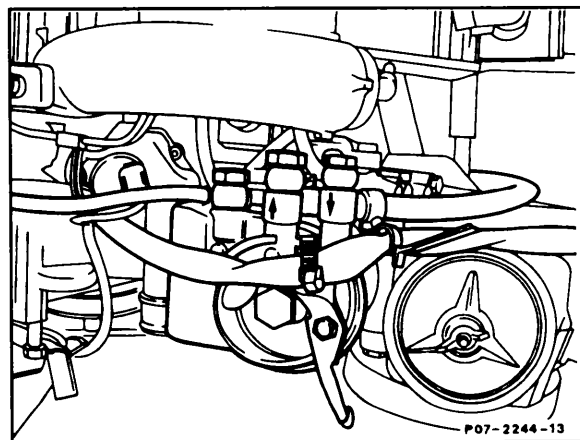
Bleeding Injection pump

Pump manually until overflow valve on injection pump opens with an audible buzzing sound.

Engines 601, 602, 603

When starting, injection system will bleed automatically.

Run engine and check for leaks.

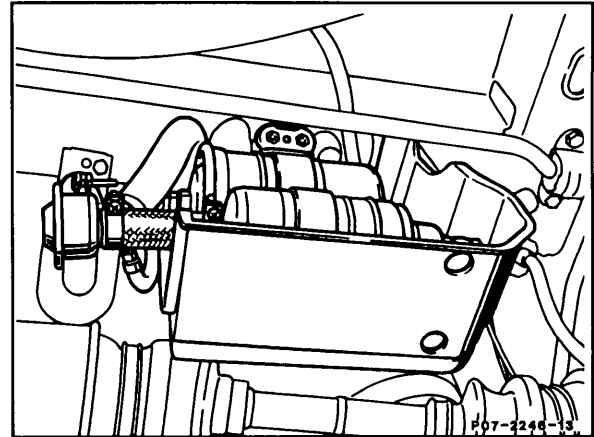


Engine 601, 602, 603

Engine 102 110 116 117
with CIS

Remove protective cover.

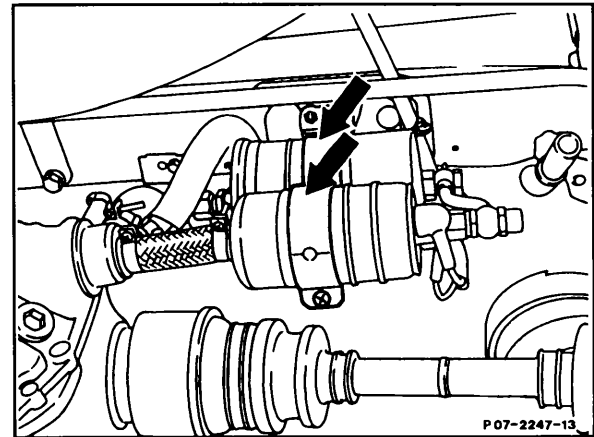
Disconnect fuel lines.



Loosen mounting screws (arrows) and remove filter.

Unscrew fitting from old filter and attach to new filter with new seal ring.

Install new fuel filter in flow direction with plastic sleeve. Sleeve should project on both sides of the holder since contact corrosion may occur if there is direct contact with the holder. Replace plastic sleeve, if necessary.



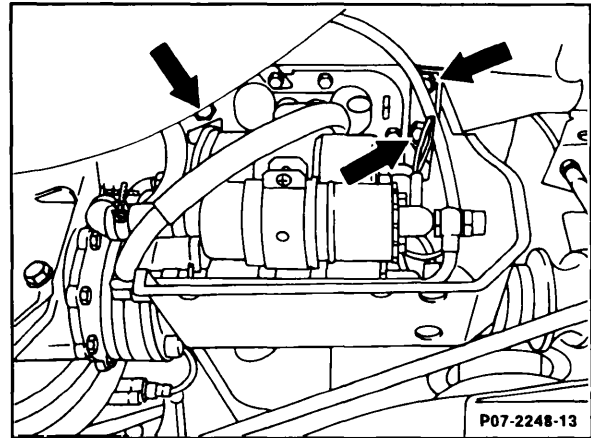
Connect steel line to filter.

Retighten mounting screws.

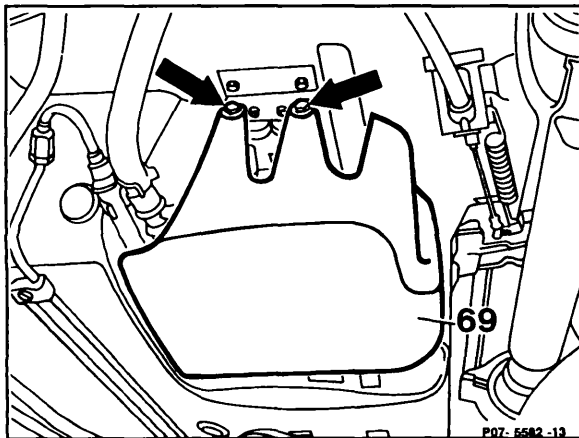
Check for leaks.

Engine 102 103 104 116 117 119
with CIS-E

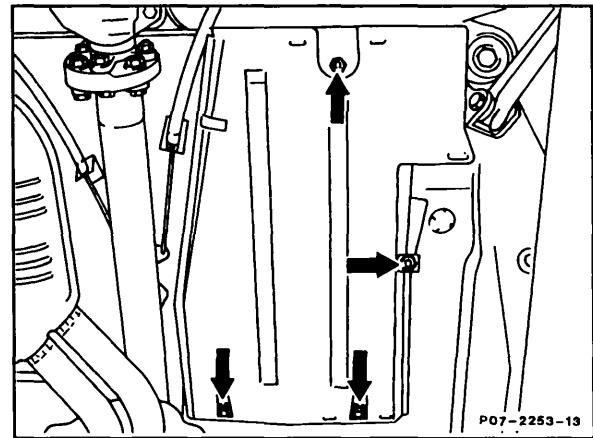
Remove protective cover by removing mounting bolts (arrows). On model 201 (2nd version) pull out expanding rivets.



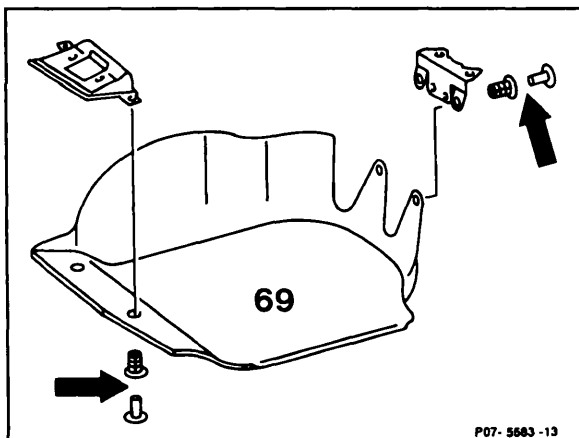
Model 107 , 126



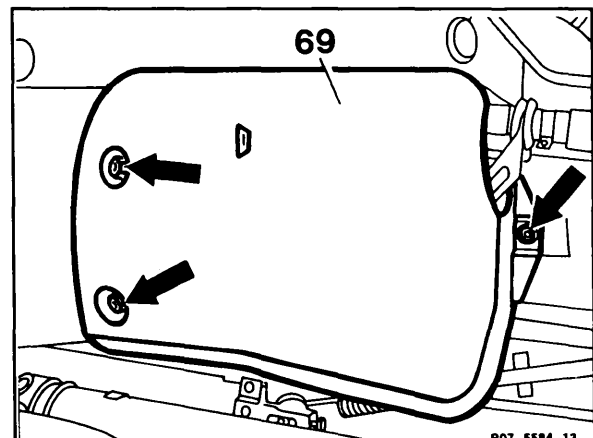
Model 201 1st version



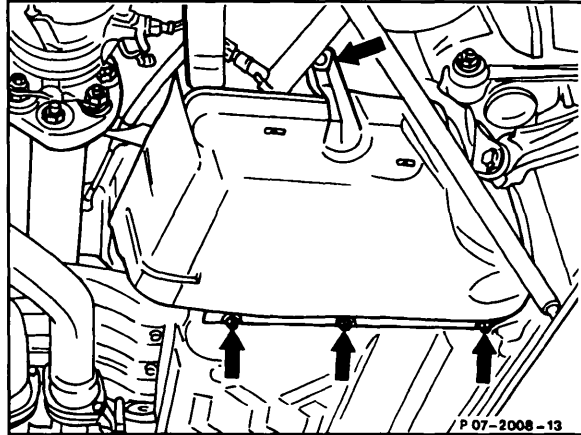
Model 124



Model 201 2nd version



Model 201 (3rd version as of 08.1985)



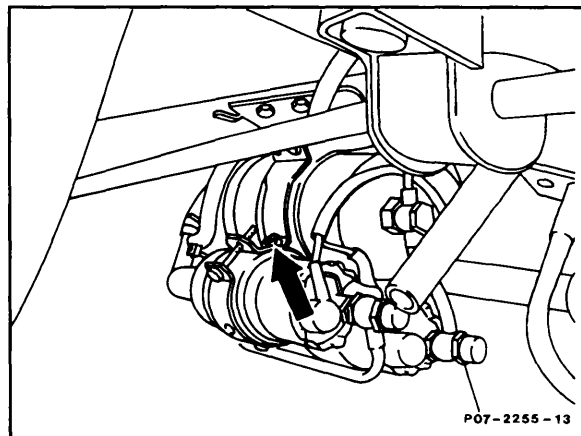
Model 129

Disconnect fuel line and fuel hose.
Loosen mounting screws (arrow) pivot holder
down and remove filter.

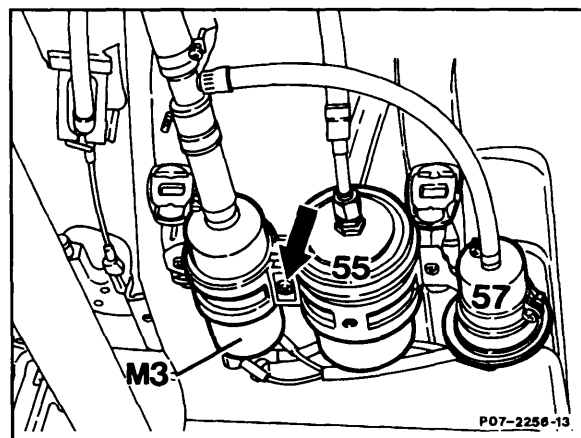
Install new fuel filter and plastic sleeve in flow
direction. Sleeve should project on both sides of
the holder since contact corrosion may occur if
there is direct contact with the holder. Replace
plastic sleeve, if necessary.

On model 124, an additional plastic sleeve is
required.

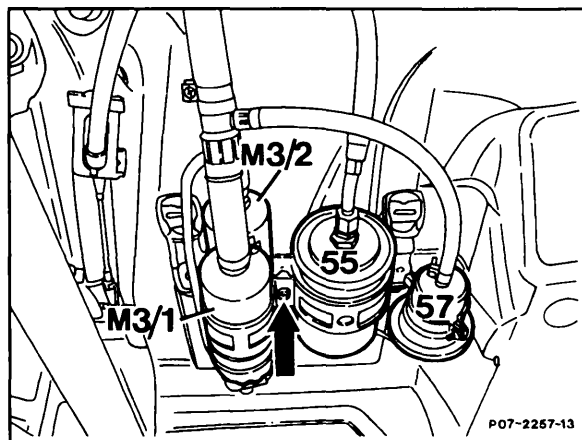
Install protective cover.



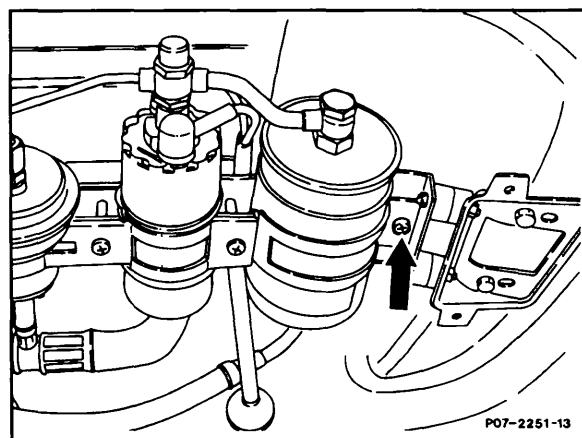
Model 107, 126



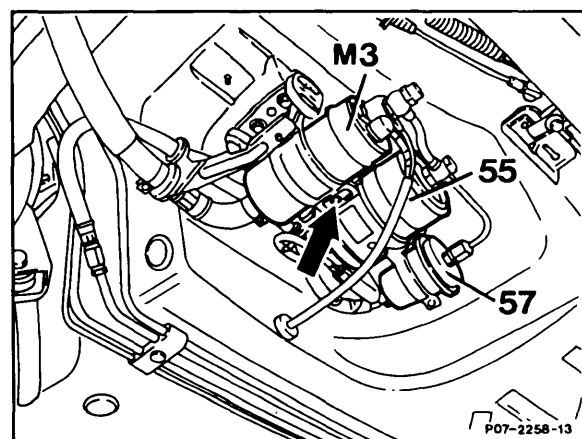
Model 124



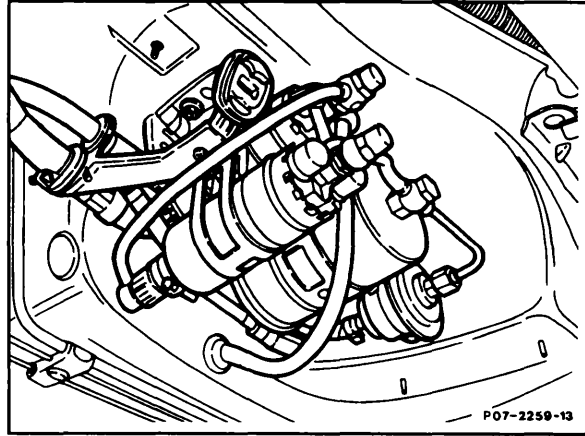
Model 124.026/030/050 as of 11. 1986, and 124.230
Model 129



Model 201 1st version



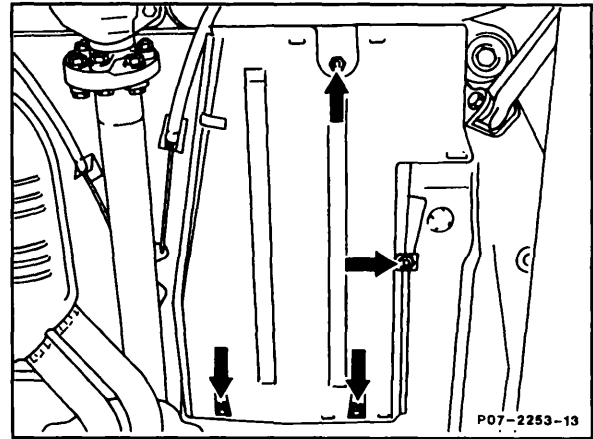
Model 201 2nd version



Model 201.029/034 starting 10.1986

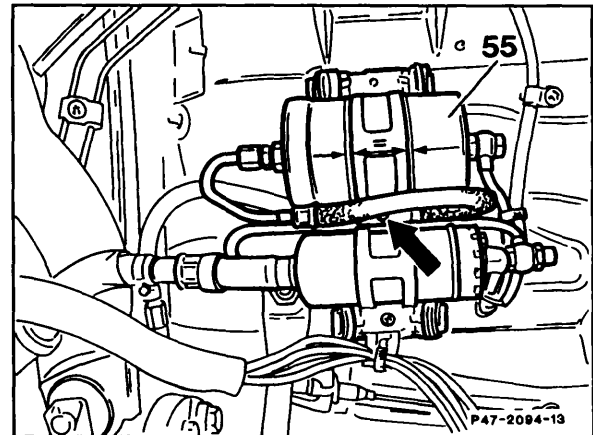
Engine 104 119 120
with LH

- Remove protective cover by removing screws (arrows).
- Disconnect fuel lines and fuel hose from fuel filter (55).
- Loosen clamping screw (arrow) and remove fuel filter towards rear.
- Install new fuel filter with plastic sleeve so that sleeve extends on both sides of holder since contact corrosion may occur if there is direct contact with the holder.



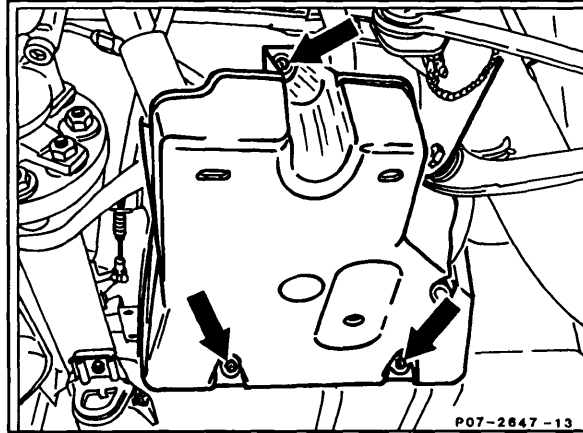
Model 124

- Run engine briefly to check connections for leakage.
- Reinstall protective cover.

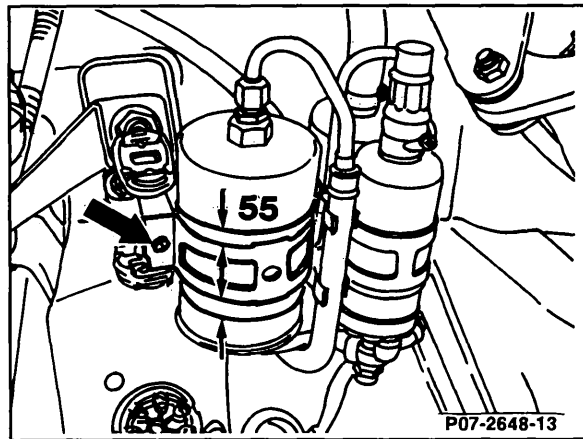


Model 124

Model 140



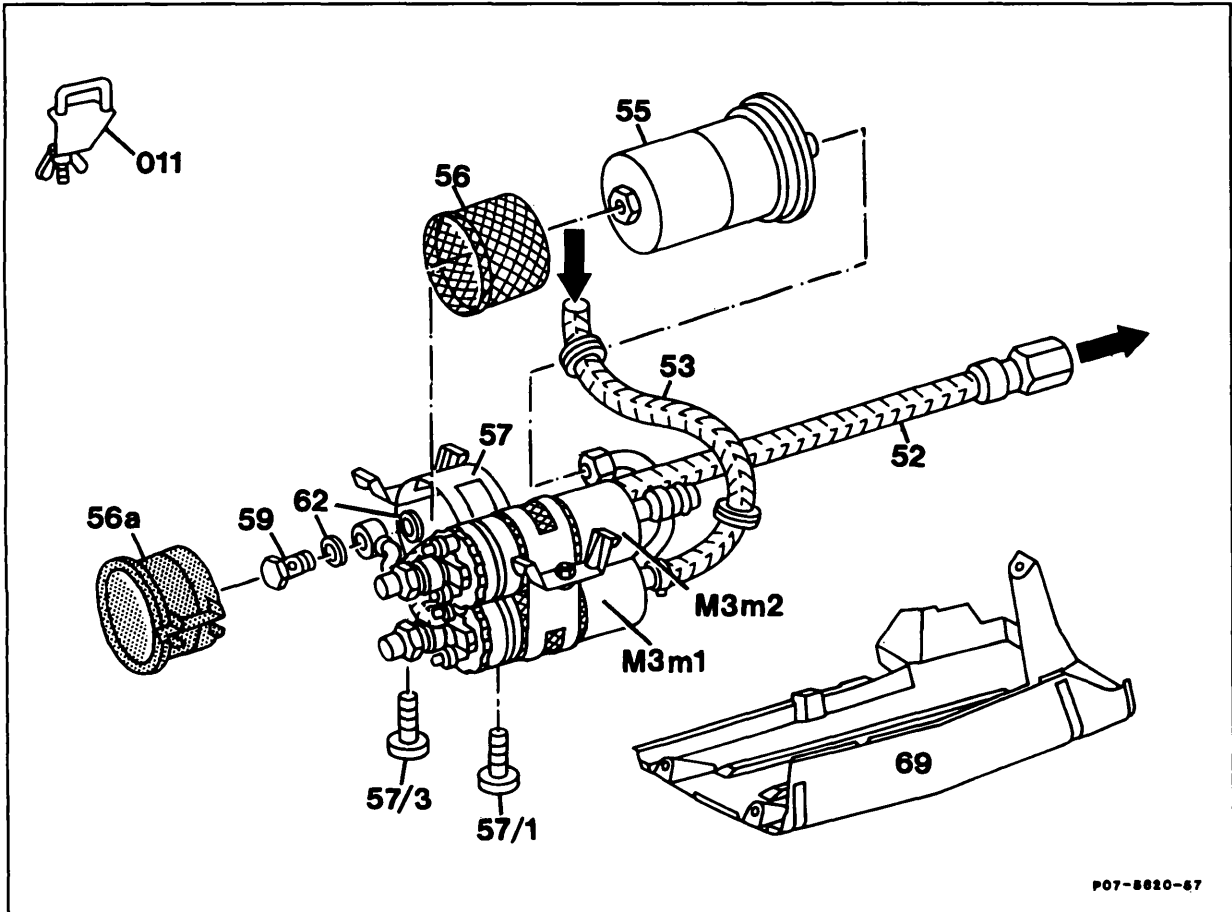
Model 140



Engine 104
with HFM-SFI

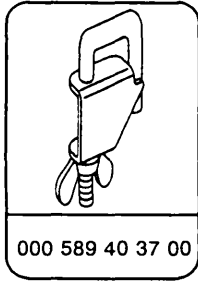
⚠ WARNING!

Apply parking brake before performing work with engine running.
Place automatic transmission selector lever in Park position.



Shown on fuel pump assembly with two fuel pumps.

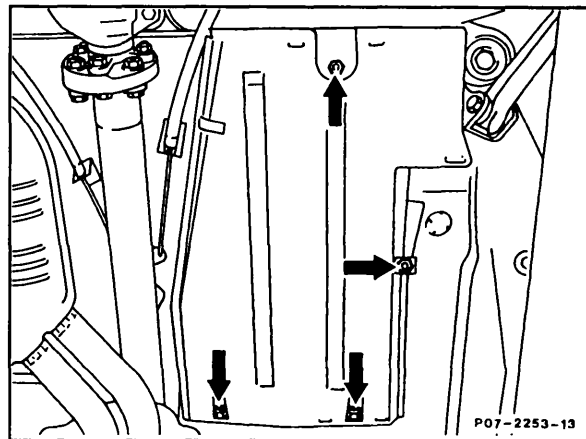
Special tools



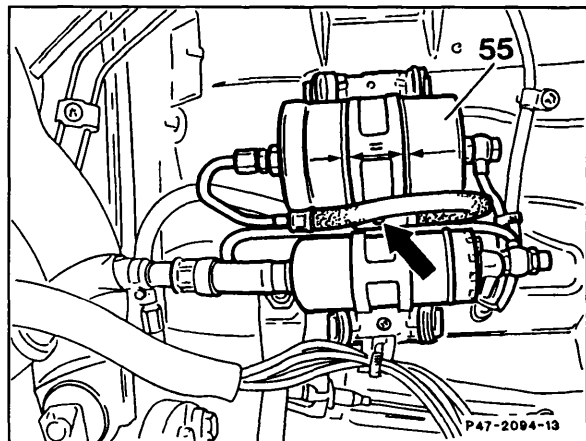
⚠ WARNING!

Observe fuel-related safety precautions.

- Release fuel tank pressure by opening filler cap.
- Disconnect battery negative cable and cover battery negative terminal.
- Remove protective cover by removing screws (arrows).
- Disconnect fuel lines and fuel hose from fuel filter (55).
- Loosen clamping screw (arrow) and remove fuel filter towards rear.
- Install new fuel filter with plastic sleeve so that sleeve extends on both sides of holder since contact corrosion may occur if there is direct contact with the holder.
- Run engine briefly to check connections for leakage.
- Reinstall protective cover.



Model 124



Model 124