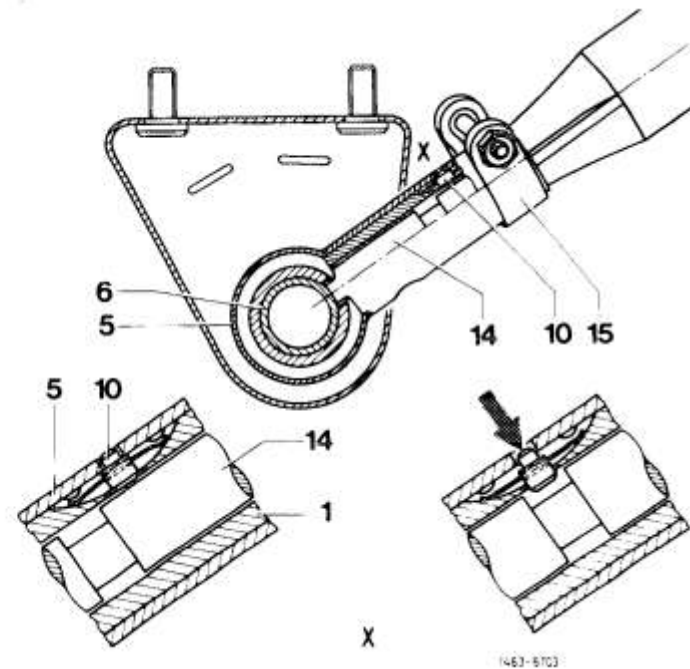


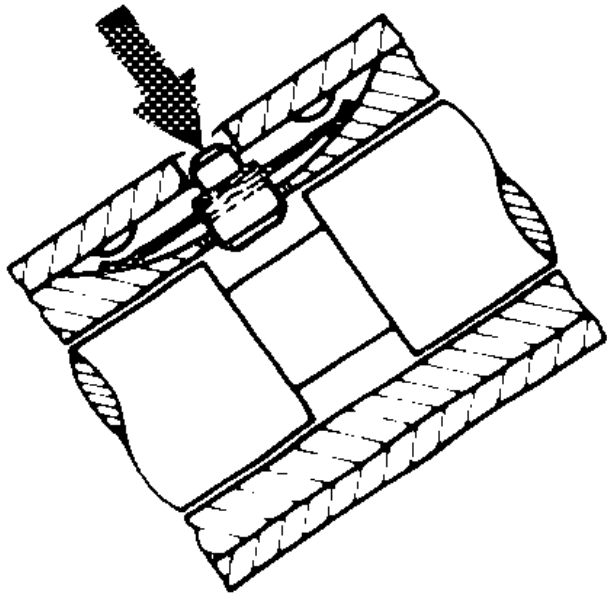
19 Push-in locking pin (10) for steering lock (6) with a punch approx. 3 mm thick (refer to arrow). Slightly turn steering lock. Turn ignition key into position "0" and pull out. Remove steering lock from holder (5) of jacket tube and instrument panel.

Attention!

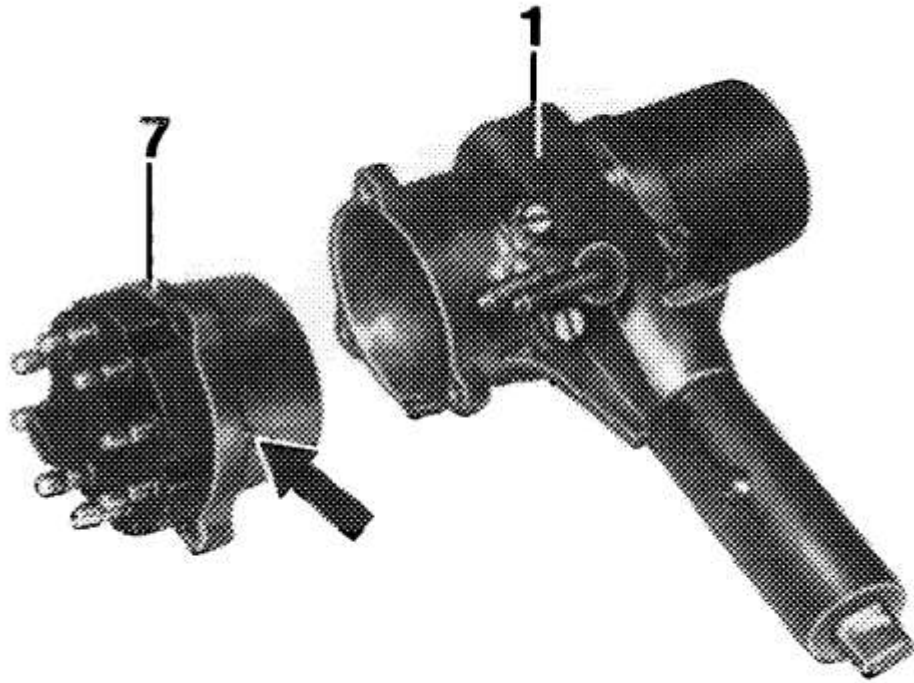
The locking pin can be pushed-in only in position "1" of steering lock. The pin represents an additional burglar lock.



1463-8103



ROUNDED



146-14438

FLAT