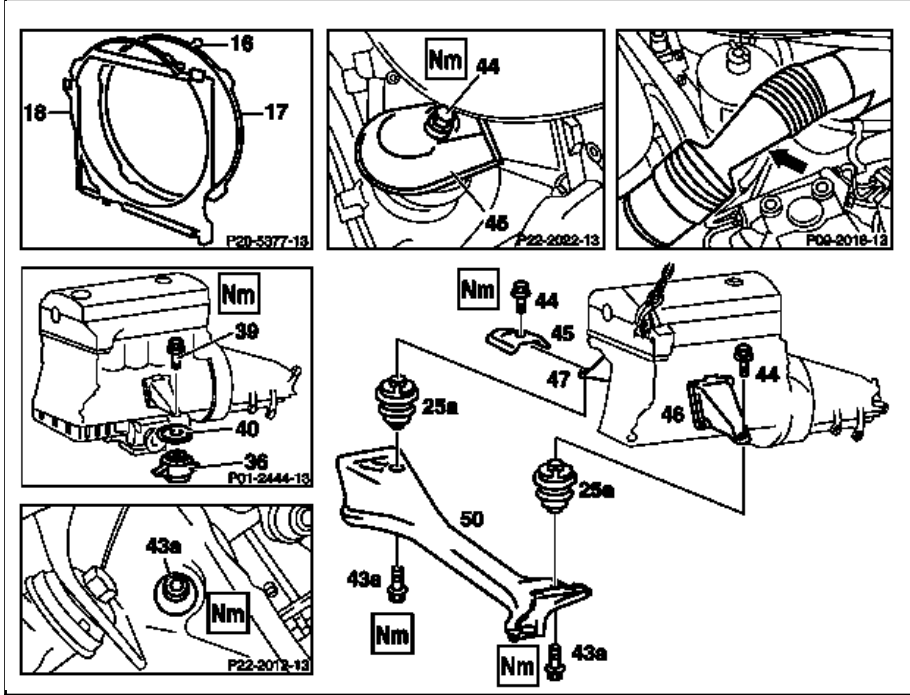


ENGINE 601
in model 124,
201 as of 1.4.85

ENGINE 602 in MODEL 124, 201
ENGINE 603 in MODEL 124, 140



P22.10-0256-06

Fig. item etc.	Work instructions		
Arrow	Air intake hose		detach
16, 17, 18	Detach fan shroud		and lay over fan
25a, 36, 40, 45	Remove engine mount, shield	<div style="display: flex; flex-direction: column; gap: 5px;"> Nm Nm Nm </div>	*BA22.10-P-1001-01J *BA22.10-P-1004-01J *BA22.10-P-1010-01J *WE58.40-Z-1012-11A
6		<p>i For 4MATIC a shield is installed on both sides. Observe different version on left and right.</p> <p>i Pay attention to environmental protection regulations for disposal; give the engine mount to the mixed scrap.</p>	

Engine mounts, engine supports

Number	Designation		Engines 601, 602, 603 in models 124, 140, 201 with hydr.engine mount at the front, except engine 603.913/963 (4 MATIC)	Engine 603.913/963 (4 MATIC) in model 124.2/3
BA22.10-P-1001-01J	Bolt, front engine mount to body/ front axle carrier	Nm	25	25
BA22.10-P-1004-01J	Bolt, front engine support to engine mount	Nm	55	20
BA22.10-P-1010-01J	Bolt, front engine mount to engine support	Nm	-	55

Workshop equipment

