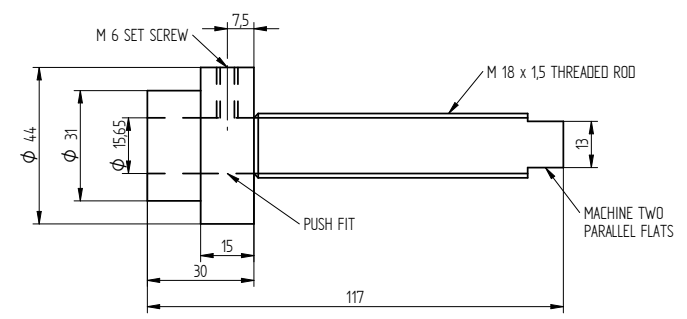
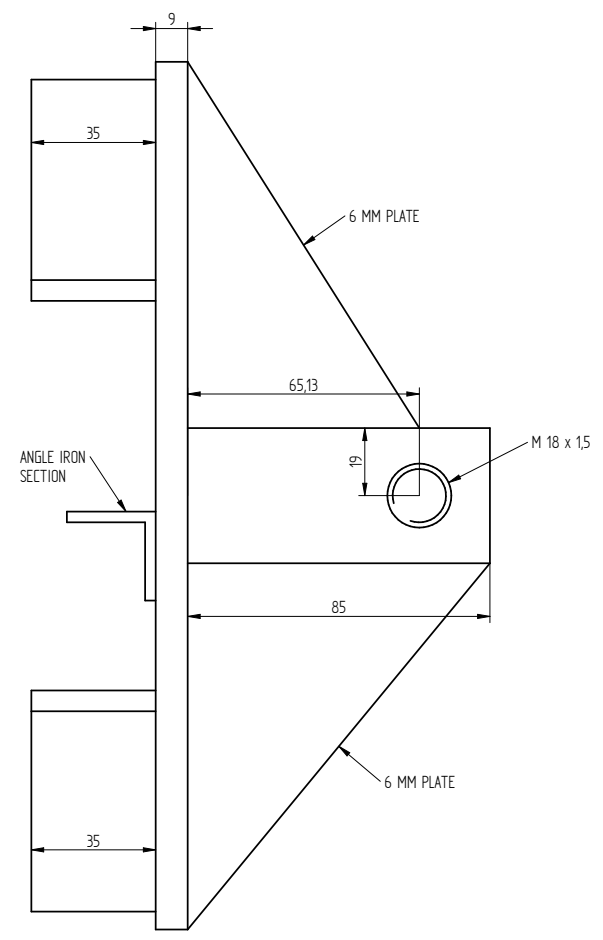
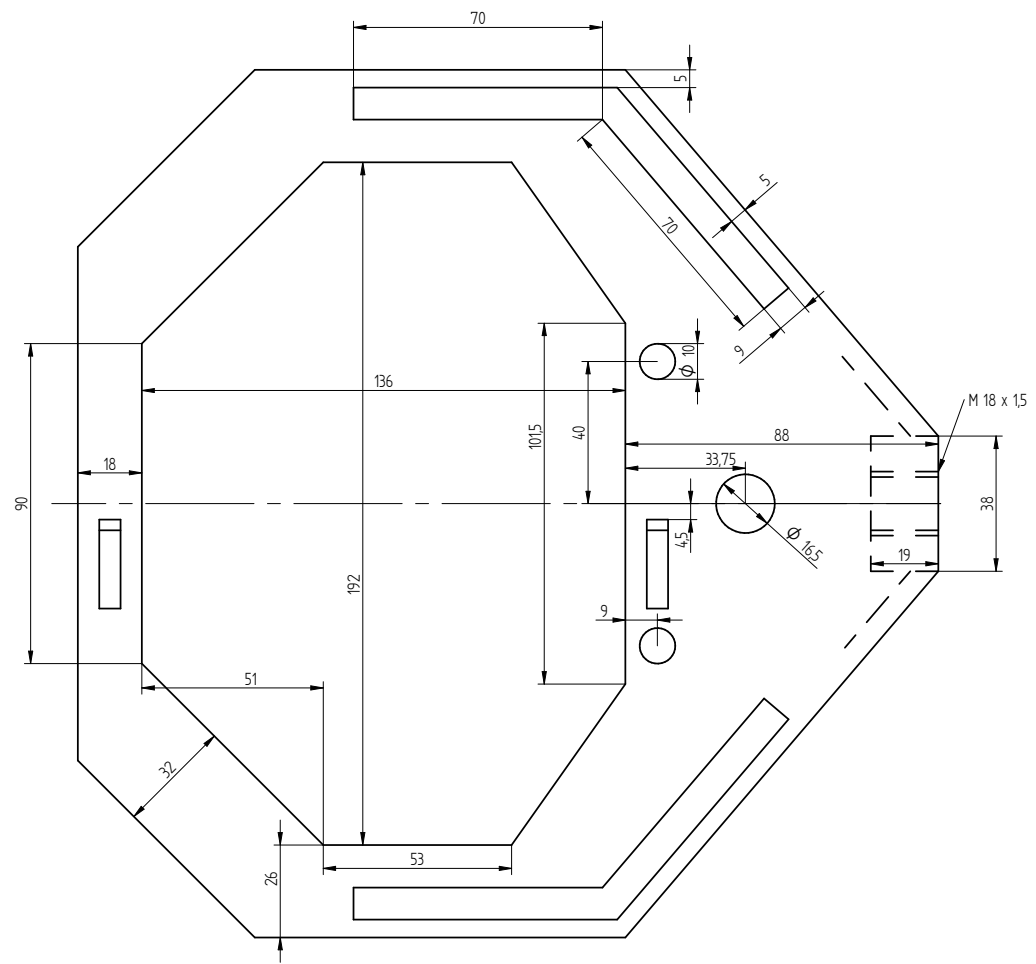
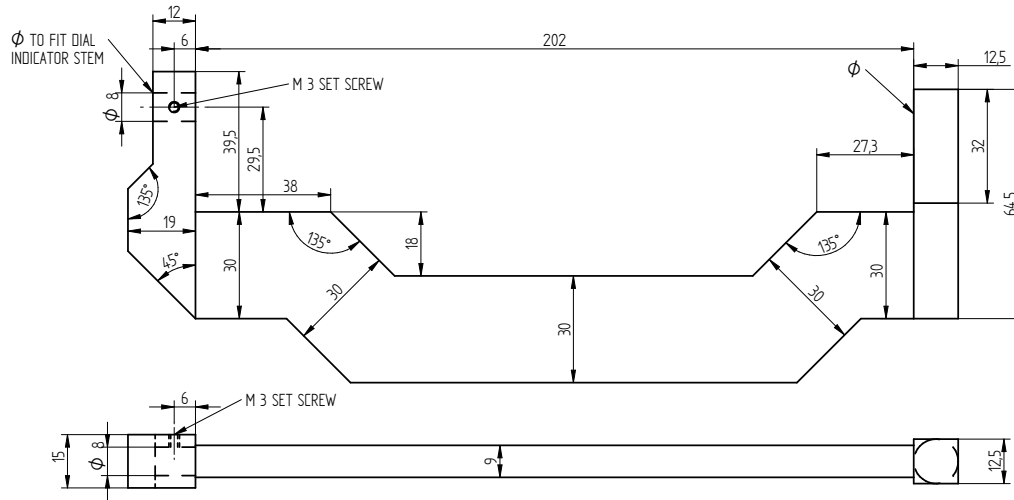


REVISION HISTORY			
REV	DESCRIPTION	DATE	APPROVED



DRAWN	NAME	DATE	Solid Edge	
CHECKED	Matt Boyce	12/02/14	TITLE	
ENG APPR			Spreading Tool 126 589 00 31 00	
MGR APPR			FILE NAME: Case spreader.dft	REV 1
UNLESS OTHERWISE SPECIFIED DIMENSIONS ARE IN MILLIMETERS ANGLES ±X.X° 2 PL ±XXX 3 PL ±XXXX			SIZE A2	DWG NO 1
SCALE:	WEIGHT:	SHEET 1 OF 2		

REVISION HISTORY			
REV	DESCRIPTION	DATE	APPROVED



DRAWN	NAME	DATE	Solid Edge	
CHECKED	Matt Boyce	12/02/14		
ENG APPR				
MGR APPR				
TITLE			Spreading Tool 126 589 00 31 00	
UNLESS OTHERWISE SPECIFIED DIMENSIONS ARE IN MILLIMETERS ANGLES $\pm X.X^\circ$			SIZE A2	DWG NO 1
2 PL $\pm XXX$ 3 PL $\pm XXXX$			FILE NAME: Case spreader.dft	REV 1
SCALE:		WEIGHT:	SHEET 2 OF 2	