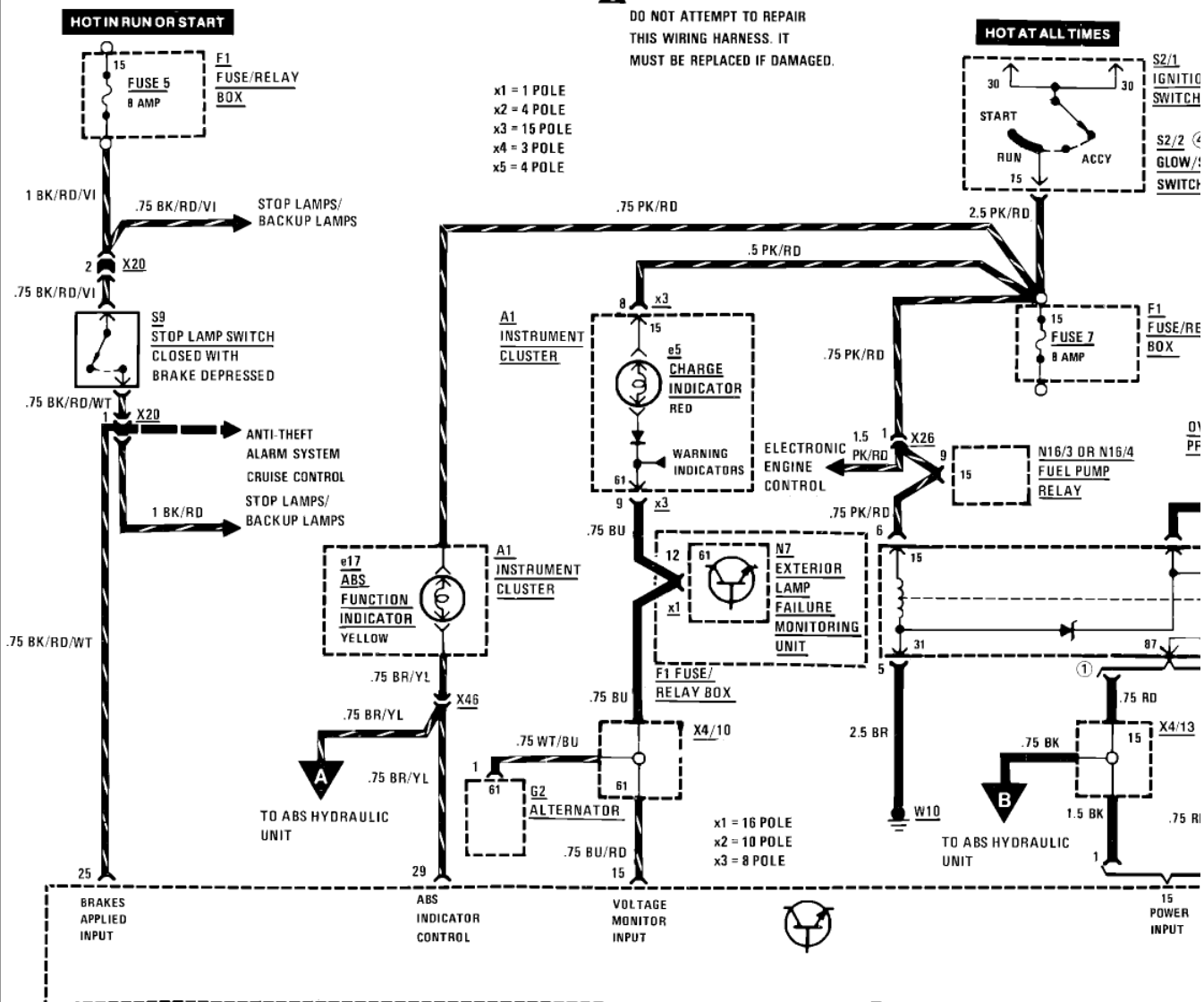


ANTI-LOCK BRAKE SYSTEM (ABS)

WARNING:
DO NOT ATTEMPT TO REPAIR
THIS WIRING HARNESS. IT
MUST BE REPLACED IF DAMAGED.



REVISIONS: ① MY 1986 AND 1987, CONNECTED TO PIN 4: AS OF MY 1988 CALIF., CONNECTED TO PIN 7
② AS OF MY 1988 FEDERAL, CONNECTED TO PIN 7
③ ELECTRONIC DIESEL SYSTEM IN DIESEL MODELS
④ DIESEL MODELS