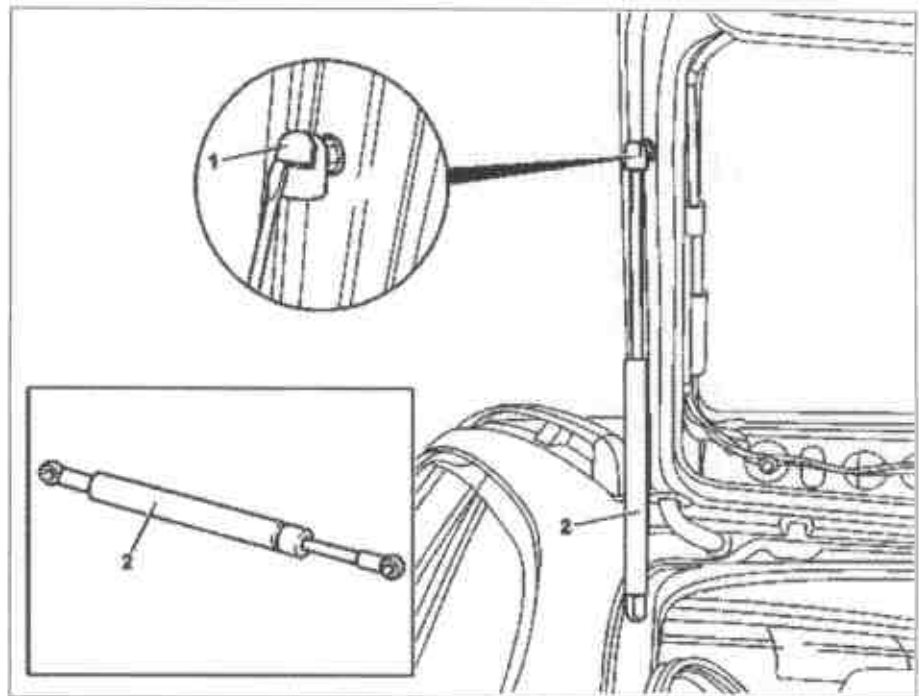


MODEL 163, 202.07 /08 /18

- 1 Retainer  
2 Gas pressure strut



F72.20-0221-06

N°	S	Removal, installation		
1		Secure tailgate with support		
2		Lift retainer (1)	ⓘ Do not remove retainer, otherwise tension is lost	
3		Remove gas pressure strut (2)	ⓘ When replacing gas pressure strut ↓ Dispose of gas pressure struts (used parts)	OS00.00-P-1001-01A
4		Install in opposite order		