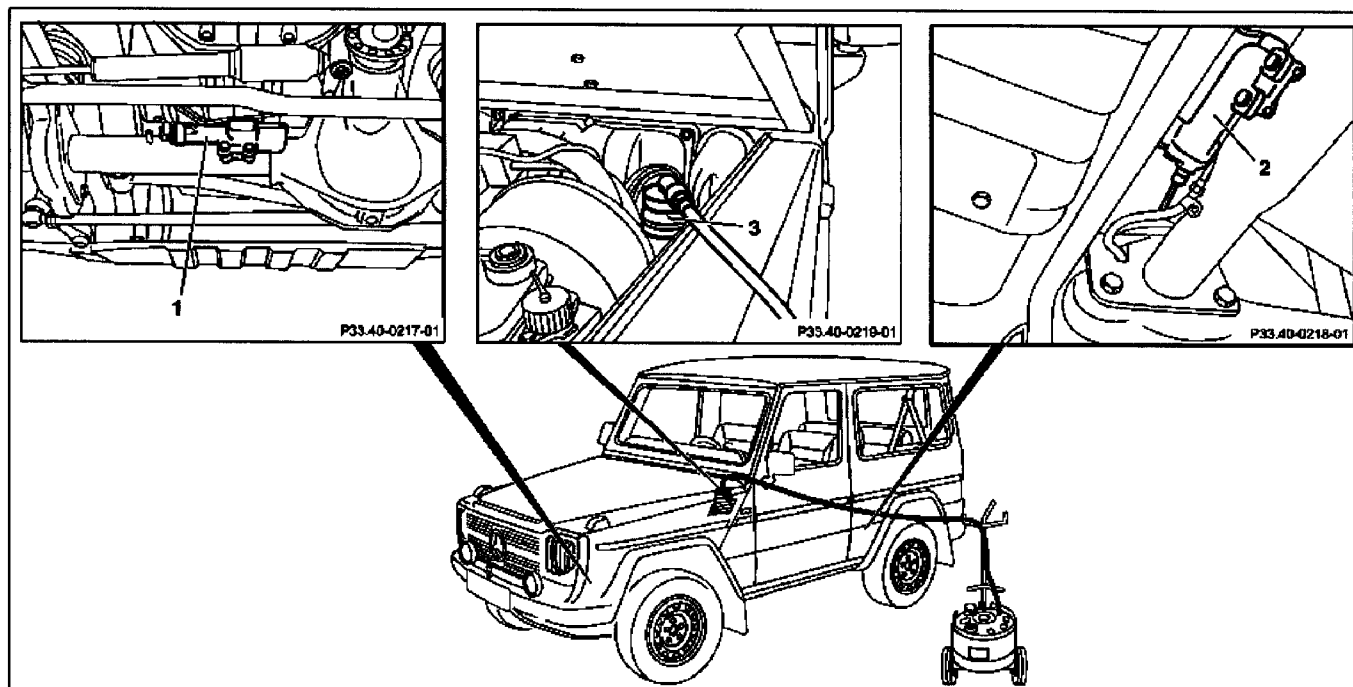


MODEL 460, 461.217 /219 /223 /227 /229 /238 /239 /249 /266 /267 /321 /322 /323 /326 /327 /328 /329 /331 /335 /336 /337 /338 /341 /365 /366 /367 /368 /302 /332 /342 /345 /401 /402 /403 /404 /405 /450 /451 /452 /454 /455 /456 /458 /459  
 MODEL 463.200 /204 /206 /207 /208 /209 /220 /221 /224 /225 /227 /228 /230 /231 /232 /233 /240 /241 /243 /244 /245 /246 /247 /248 /249 /250 /254 /270 /271 /300 /304 /307 /308 /309 /320 /321 /322 /323 /324 /325 /327 /328 /330 /331 /332 /333



P33.40-0220-09



Shown on model 460

1 Front axle shift cylinder

2 Rear axle shift cylinder

3 Expansion reservoir

<b>Danger!</b>	<b>Risk of poisoning</b> caused by swallowing brake fluid. <b>Risk of injury</b> from brake fluid coming into contact with skin and eyes.	Pour brake fluid only into suitable and appropriately marked containers. Wear protective clothing and eye protection when handling brake fluid.	AS42.50-Z-0001-01A
1	Connect brake fluid changing unit to expansion reservoir (3)	Observe manufacturer's operating instructions. Bleed pressure is 2 bar. Note different installation positions for the expansion reservoir (3) for the various models. Brake fluid changing equipment	*WE58.40-Z-1001-07A
<b>BB</b>	Brake fluids (DOT 4 plus)	For all vehicle models from Mercedes-Benz and smart	BB00.40-P-0331-00A
	Brake fluid notes	All models	AH42.50-P-0001-01A
2.1	Open bleed screw on front axle shift cylinder (1)	For bleeding front differential lock. Allow approx. 80 cm <sup>3</sup> brake fluid to escape free of bubbles.	
2.2	Open bleed screw on rear axle shift cylinder (2)	For bleeding rear differential lock. Allow approx. 80 cm <sup>3</sup> brake fluid to escape free of bubbles.	
3.1	Close bleed screw on front axle shift cylinder (1)		*BA33.40-P-1005-01A
3.2	Close bleed screw on rear axle shift cylinder (2)		*BA35.40-P-1006-01A
4	Disconnect brake fluid changing equipment	Brake fluid changing equipment	*WE58.40-Z-1001-07A
5	Check brake fluid level in expansion reservoir (3) and correct if necessary.		

 <b>BB</b>	Brake fluids (DOT 4 plus)	For all vehicle models from Mercedes-Benz and smart	BB00.40-P-0331-00A
	Brake fluid notes	All models	AH42.50-P-0001-01A

**Nm Differential lock cylinder**

Number	Designation	Model	Models
		<b>460, 461</b>	<b>463.200/204/206/ 207/208/209/220/221/ 224/225/227/228/230/ 231/232/233/240/241/ 243/244/245/246/247/ 248/249/250/254/270/ 271/300/304/307/308/ 309/320/321/322/323/ 324/325/327/328/330/ 331/332/333</b>
BA33 40-P-1005-01A	Bleed screw to differential lock cylinder	Nm 14	14

**Nm Differential lock cylinder**

Number	Designation	Model
		<b>460, 461, 463</b>
BA35 40-P-1006-01A	Bleed screw to differential lock cylinder	Nm 14

**Workshop equipment/MB testers (see Workshop Equipment Manual)**

WE58 40-Z-1001-07A	Brake fluid replacement unit
--------------------	------------------------------