
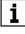
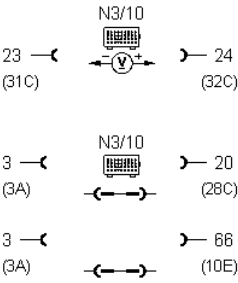



⇒		Test scope	Test connection	Test condition	Nominal value	Possible cause/remedy
23.0	PD 410  The O2S 1 signal before TWC is being measured.	AIR system (logic chain)		If ETC > 80 °C run engine at idle for at least 2 minutes. Bridge sockets on socket box	The O2S voltage oscillates in the area of -0.2 V and +1.0 V AIR pump runs. Voltage changes to < 100 mV within 20 seconds.	Y32 binding, AIR combi valve, AIR pump no output.
24.0	PD 802 PL 33C	Resonance intake manifold switchover valve (Y32/B)	N3/10 	Engine: Start Engine speed:		Wiring, Y32/B