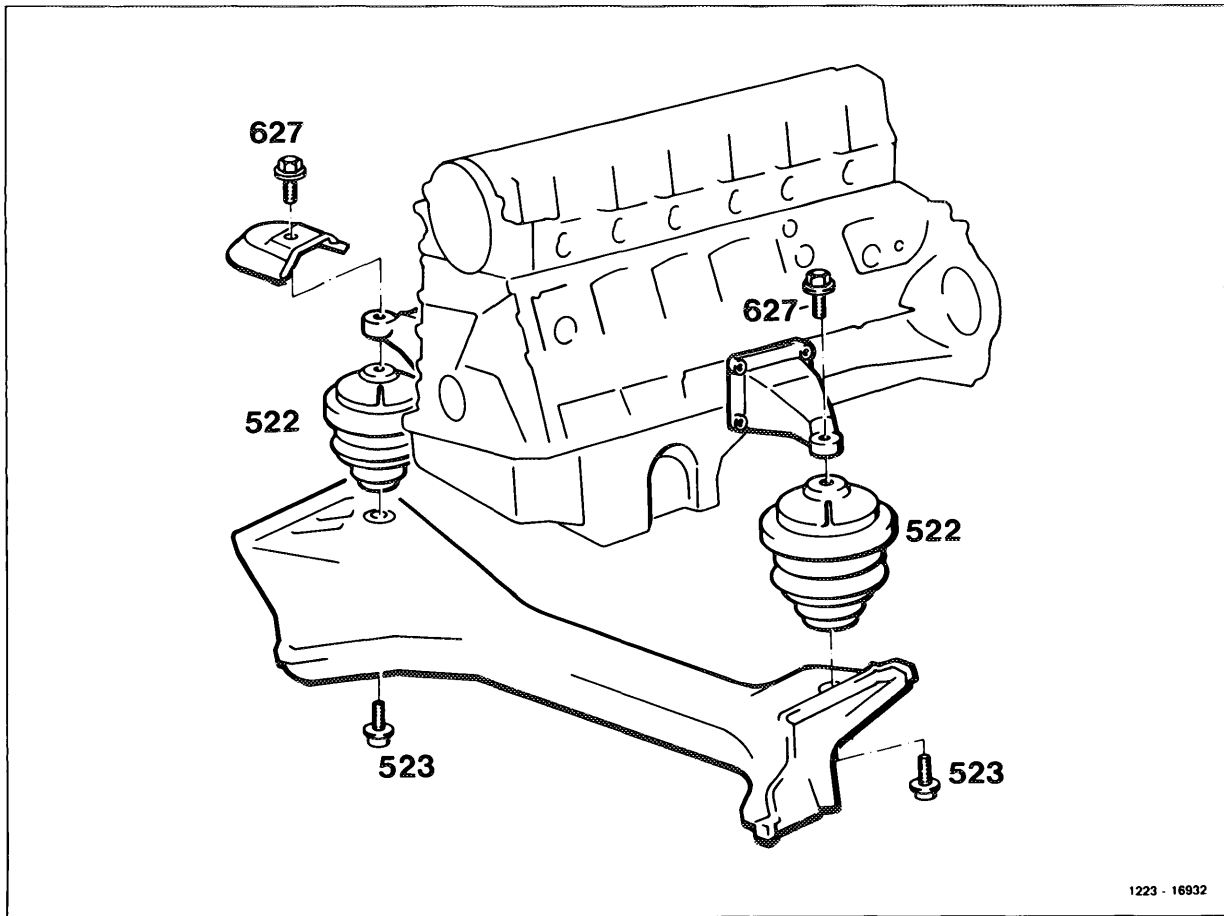


Model 124



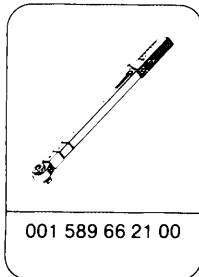
1223 - 16932

Hood	raise to vertical position (01-008).
Ground cable to battery	detach, attach.
Air scoop	remove, install.
Fan cowl	detach, attach.
Engine compartment covering below	remove, install.
Bolts (627)	unscrew, screw in, tightening torque 55 Nm (steps 5 and 7). Pay attention to installation instruction.
Engine	raise, lower.
Bolts (523)	unscrew, tighten, tightening torque 40 Nm (step 9).
Engine mount (522)	remove, install.

Tightening torques

	Nm
Hexagon socket bolts for engine mounts to frame cross member	40
Hexagon bolt for engine mounts to engine support	55

Special tool



Removal, Installation

- 1 Raise hood to vertical position (01-008).
- 2 Detach ground cable at battery.
- 3 Detach air scoop from air filter.
- 4 Detach fan cowl and place over the fan.

Installation instruction

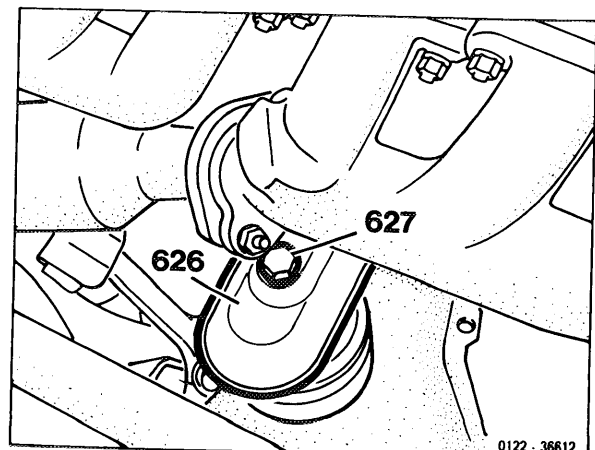
Introduce retaining catches into the mounts on the radiator.

- 5 Unscrew bolt (627) on the right engine mount from above, tightening torque 55 Nm.

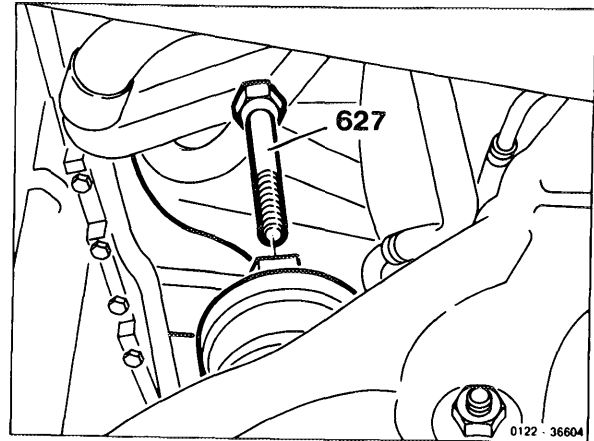
Note

A shield (626) is inserted above the right engine support.

- 6 Remove engine compartment covering below.

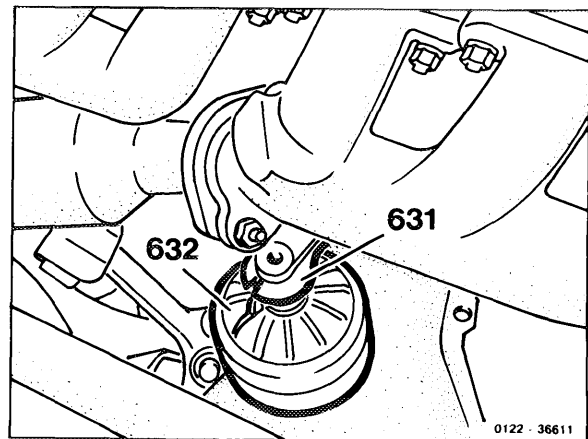


7 Unscrew bolt (627) on left engine mount, tightening torque 55 Nm.



Installation instruction

Anti-twist lock (632) on left and right engine mounts must engage into the retaining slot of the engine support.



8 Attach engine to the front suspension lock and raise slightly, paying attention to the rear suspension lock, oil filter and coolant hoses.

9 Unscrew bolts (523) on the left and right front engine mounts from below, tightening torque 40 Nm.

4MATIC: unscrew 2 bolts from below.

10 Take out engine mount.

Note

The engine mounts on the left and right are identical.

