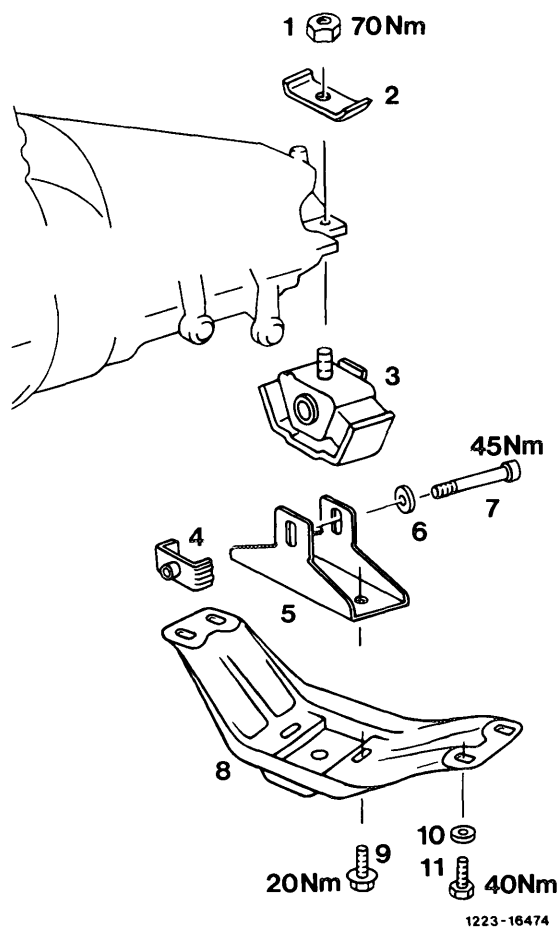


22-213 Rear engine mount (Freeway hop) Model 124 USA

Job No. of job texts and job values or standard
texts and flat rates



| | | | |
|---|--------------|----|------------------------|
| 1 | Flat nut | 7 | Adjusting screw 10.9 |
| 2 | Packing | 8 | Engine support |
| 3 | Engine mount | 9 | Screw-and-washer assy. |
| 4 | Nut | 10 | Washer |
| 5 | Bracket | 11 | Bolt |
| 6 | Washer | | |

The rear engine mount with variable engine stop and higher load carrying capacity can be installed if complaints are received regarding engine vibration on roads with transverse grooves (Freeway hop).

If this engine mount is installed, the engine stop must be set after approx. 1000 and after 10000 km distance.

Setting

- 1 Slacken adjusting screw (7) on rear engine mount completely.
- 2 Move engine by shaking back and forward by hand.
- 3 Tighten adjusting screw (7) on rear engine mount.