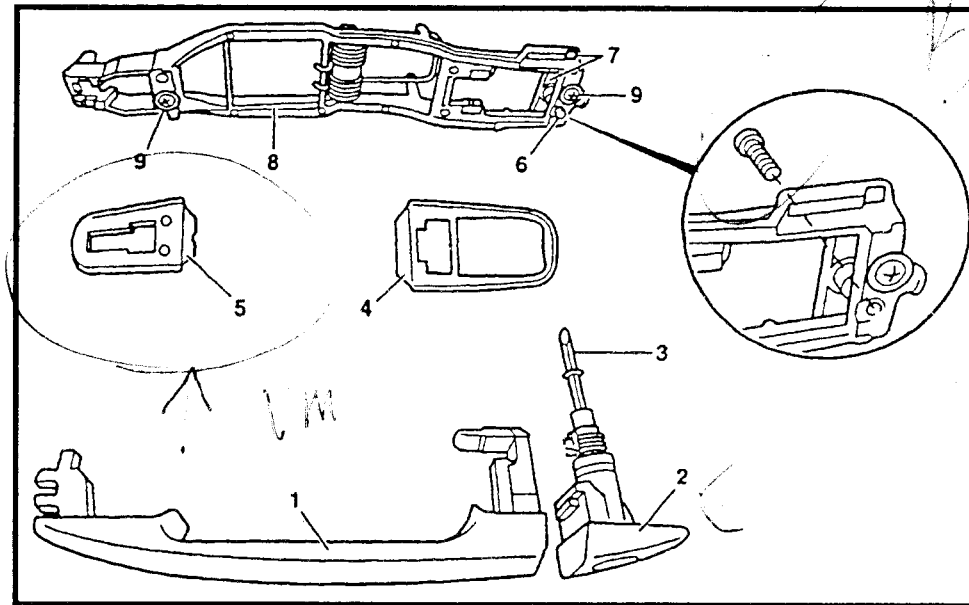
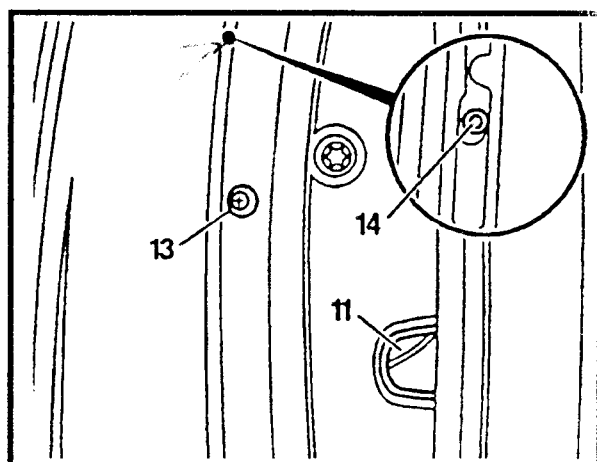


10 Remove door handle and lock.



11 Reinstall handle and adjust free play (13) approx. 1.0mm.

Remove rubber gasket as necessary to access screw.



- 11 Latch
- 13 Handle free-play adjustment
- 14 Lock assembly mounting screw