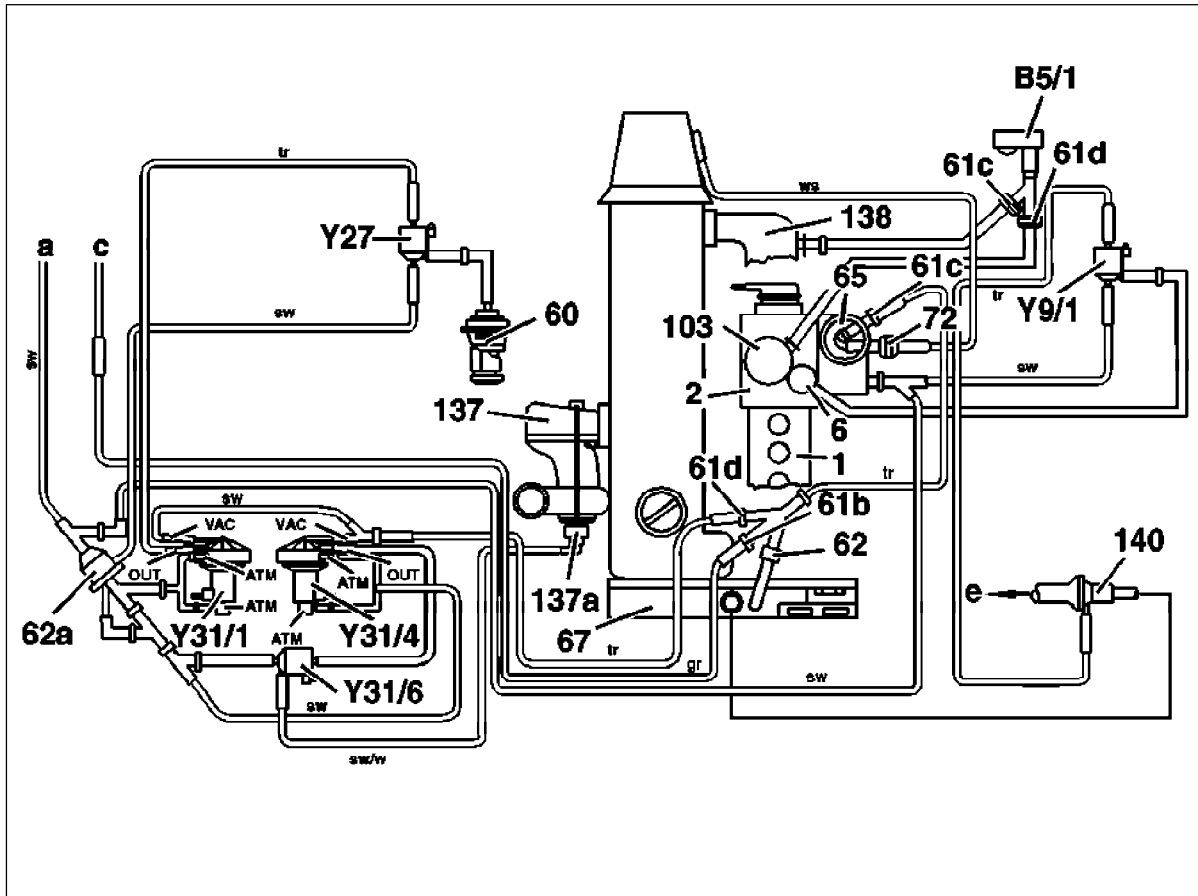


07.1-0500 Vacuum Circuit Diagrams



P07.11-0205-57

Vacuum Line Routing (EDS) Engine 603.971 with Automatic Transmission Model 140, (USA)  
Model Year 1992

|      |   |       |  |
|------|---|-------|--|
| 1    | Injection pump                            | Y27   | ARF switchover valve   |
| 2    | Governor                                  | Y31/1 | ARF vacuum transducer  |
| 6    | Stop unit                                 | Y31/4 | Boost pressure control vacuum transducer   |
| 60   | Exhaust gas recirculation valve           | Y31/6 | Boost pressure shutoff switchover valve  |
| 61b  | Restriction                               |       |  |
| 61c  | Restriction                               |       |  |
| 61d  | Connector                                 |       |  |
| 62   | Filter                                    |       |  |
| 62a  | Filter                                    |       |  |
| 65   | Vacuum control valve                      |       |  |
| 67   | Vacuum pump                               |       |  |
| 103  | ALDA unit                                 |       |  |
| 137  | Exhaust gas turbocharger                  |       |  |
| 137a | Boost pressure control valve vacuum unit  |       |  |
| 138  | Charge air distribution pipe              |       |  |
| 140  | Non-return valve, brake booster           |       |  |
| B5/1 | EDS pressure sensor                       |       |  |
| Y9/1 | Key-operated engine stop switchover valve |       |  |
| Y22  | ELR actuator                              |       |  |
|      |   | a     | Fresh air flow to passenger compartment  |
|      |   | c     | Other ancillaries  |
|      |   | e     | Brake booster  |
|      |   |       | <b>Pressure and vacuum connections at vacuum transducer</b>  |
|      |   | VAC   | Vacuum from vacuum pump  |
|      |   | ATM   | Fresh air flow to passenger compartment  |
|      |   | OUT   | Outlet from vacuum transducer (Y31/1) to exhaust gas recirculation valve   |
|      |   | OUT   | Outlet from vacuum transducer (Y31/4) to switchover valve (Y31/6) or to boost pressure control valve vacuum unit |