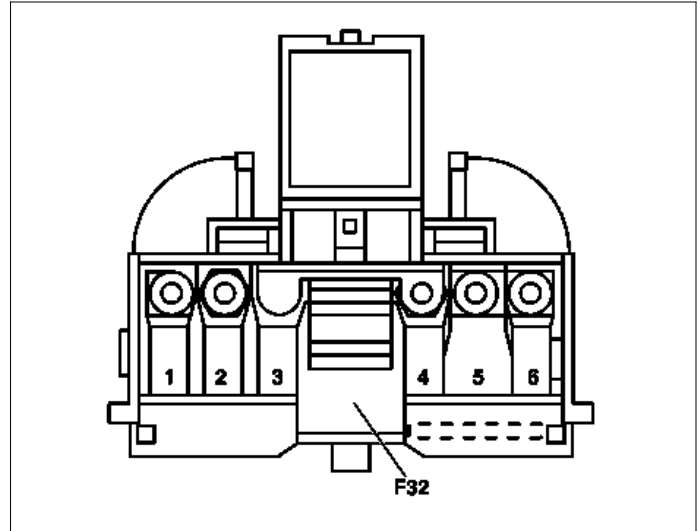


1 to 6 Socket

F32 Front prefuse box



P54.15-2552-11

Socket	Fuse	Fused line	Fused function	Rating in amperes (A)
1	F32f1	RD 10.0 mm ²	α Interior fuse box (F34)	125
2	F32f2	RD 16.0 mm ²	α Rear SAM control unit with fuse and relay module (N10/2)	200
3	F32f3	RD 10.0 mm ²	Valid for code (970) Police emergency vehicle: α Additional fuse holder I, spare wheel well (F7)	125
4	F32f4	RD 16.0 mm ²	α Front SAM control unit with fuse and relay module (N10/1)	200
5	F32f5	RD 10.0 mm ²	α Engine and AC electric suction fan with integrated control (M4/7) Valid for diesel engines: α Glow output stage (N14/2)	125
6	F32f6	RD 6.0 mm ²	α Front SAM control unit with fuse and relay module (N10/1)	60