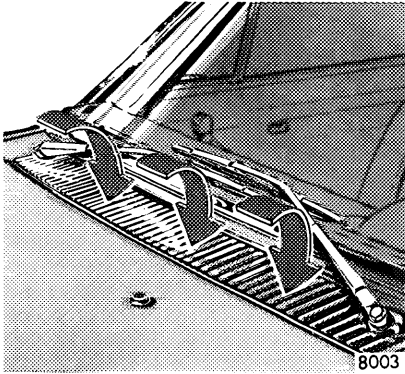


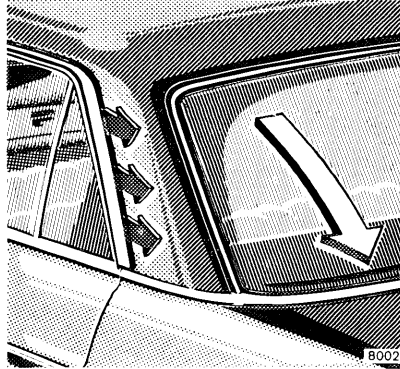
## Heating and Ventilation



The fresh air intake is located in front of the windshield (cowl) and should be kept free of snow.

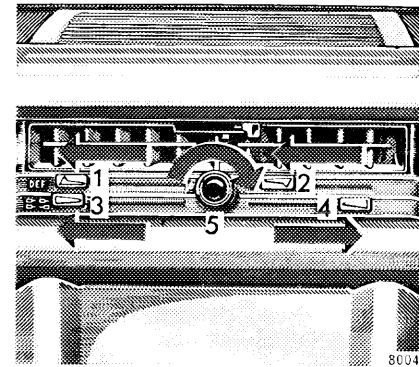
The fresh air volume supplied to the interior of the car is controlled via levers 1, 2, and 9. Levers 3 and 4 control the heating of this air.

Additional nonheated fresh air is available by moving lever 6.



Turn on the blower by means of rotary switch 5 to heat or ventilate the stationary vehicle or if an insufficient volume of air is available during the ride.

When the windows are closed, the air is expelled through the vents below the rear window. Do not cover up the vents with clothes or similar.



To defrost the windshield (DEF), move levers 1, 3 and 4 outwards and lever 2 to the inner position. Turn blower to top speed with rotary switch 5.

To defrost the side windows, also push up lever 9 and direct adjustable outlets 8 towards the side windows.