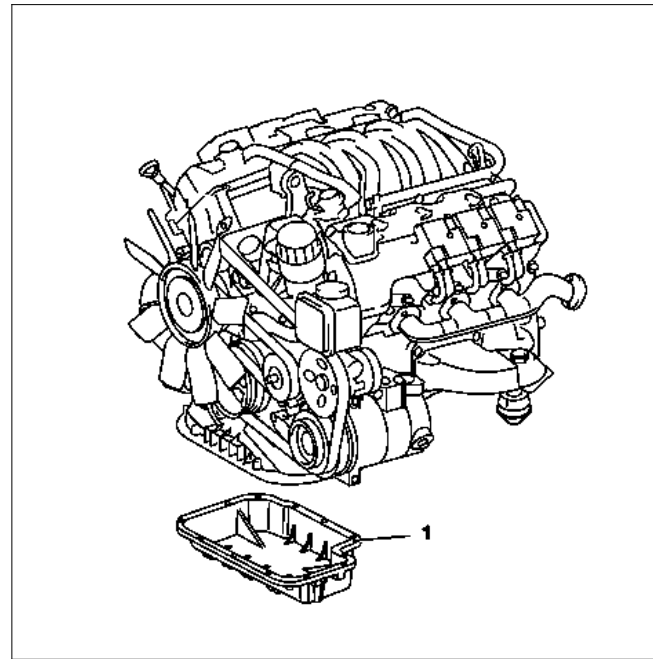


- ENGINE 112.945 in MODELS 463.209 /232 /233 /244 /245 /250
- ENGINE 112 in MODELS 129, 170, 202, 208, 210
- ENGINE 113.962 in MODELS 463.206 /240 /241 /247 /248 /249 /254
- ENGINE 113 in MODELS 129, 202, 208, 210
- ENGINE 113.982 in MODELS 463.243 /246
- ENGINE 112 (except 112.975) in MODEL 220
- ENGINE 113 / (except 113.966 /948) in MODEL 220
- ENGINE 113.993 in MODELS 463.270 /271

1 Oil pan bottom section



P01.45-2003-12

		Remove/install	
		Danger!	Risk of death caused by vehicle slipping or toppling off the lifting platform.
		Align vehicle between the columns of the lifting platform and position the four support plates at the lifting platform support points specified by the vehicle manufacturer.	AS00.00-Z-0010-01A
1		Lift/jack up vehicle	All except model 463. Model 463. only AR00.60-P-1000G
2.1		Remove engine compartment paneling	All except model 463, 220, 170 Model 220 Model 170 AR61.20-P-1105AB AR61.20-P-1105M AR61.20-P-1105A
2.2		Remove underride guard	Only model 463 except 463.246/271. Model 463.246 with engine 113.982 On model 463.271 with AMG underride guard in stainless steel. AR88.30-P-0010MG AR88.30-P-0010MG
3		Drain and collect engine oil	Installation: Replace sealing ring of the oil drain screw.
			*BA01.45-P-1003-01B *BF18.00-P-1001-01H
4		Detach bracket of automatic oil lines at oil pan bottom section (1)	
5		Remove oil pan bottom section (1) Notes on application of sealant to oil pan	Installation: Observe application of sealing compound to oil pan bottom section: Engine 112 Engines 113.940/943/944/961/980/984 Engines 113.941/942/960/962/981/982/993 Loctite sealant 5970
			AH01.45-P-0001-01C AH01.45-P-0001-01D AH01.45-P-0001-01E *BA01.45-P-1002-01B *BR00.45-Z-1013-01A
6		Install in the reverse order	

Oil pan

Number	Designation	Engines 112.910/911/ 912/913/914/ 915/917/920/ 921/922/923/ 940/941/942/ 943/944/945/ 946/947/949/ 951/954/955/ 960/961/970/ 972/973/976	Engines 113.940/941/ 942/943/944/ 945/946/960/ 961/962/963/ 965/967/968/ 969/980/981/ 982/984/986/ 992/995	Engines 113.987/ 988/991		
BA01.45-P-1002-01B	Self-tapping screw, oil pan to oil pan	Thread not pre-tapped	Nm	14	14	-
		Thread pre-tapped	Nm	10	10	10
BA01.45-P-1003-01B	Oil drain screw to oil pan	M14	Nm	30	30	30

Engine lubrication

Number	Designation	Engine 112 except 112.916/953/975	Engines 113.940/941/ 942/943/960/ 961/962/969/ 982	Engine 113.944/980/981 /984/986/991		
BF18.00-P-1001-01H	Engine oil	Filling capacity with oil filter	Liters	8.0	8.0	7.5
		Filling capacity without oil filter	Liters	7.5	-	-
	Specifications for Operating Fluids	Sheet	BB00.40-P-0229-01A	BB00.40-P-0229-01A	-	
		Sheet	BB00.40-P-0229-03A	BB00.40-P-0229-03A	-	
		Sheet	BB00.40-P-0229-05A	BB00.40-P-0229-05A	BB00.40-P-0229-05A	

Engine lubrication

Number	Designation	Engines 113.987/988/ 990/992/993/ 995		
BF18.00-P-1001-01H	Engine oil	Filling capacity with oil filter	Liters	8.5
		Filling capacity without oil filter	Liters	8.0
	Specifications for Operating Fluids	Sheet	-	
		Sheet	-	
		Sheet	BB00.40-P-0229-05A	

Repair materials

Number	Designation	Order number
--------	-------------	--------------

