

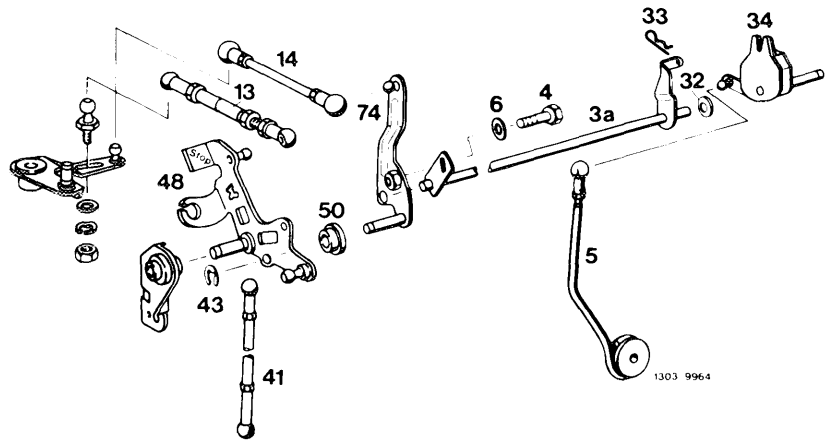
30--300 Adjusting throttle linkage

A. Model 123.193 standard version

1st version

Length of regulating rods in mm

Free travel rod (13) in pulled out condition	154
Connecting rod (14)	140
Pushrod (41)	190
Pushrod (5)	200



Connecting rod (5 in Fig. item 4)	118
-----------------------------------	-----

Auxiliary tool (spare part)

Adjusting sleeve (5 in Fig. item 5)



180 072 03 93