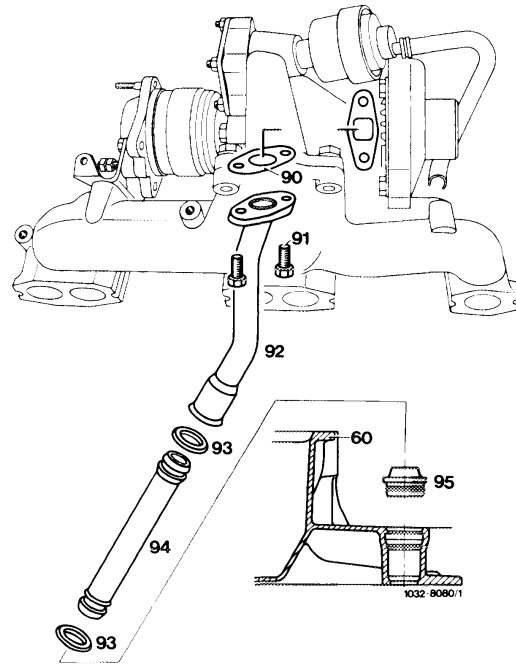


14 Unscrew oil return pipe (92) at turbocharger.



- 60 Oil pan, upper part
- 90 Gasket
- 91 2 bolts M 8 x 20
- 92 Oil return pipe (upper part)
- 93 O-ring
- 94 Oil return pipe (lower part)
- 95 Sectional seal

Installation

Install in reverse order, using new gaskets (repair set). Please note the following points:

15 Prior to installing turbocharger, attach adapter fitting and oil return pipe. Correct positioning is absolutely essential.

16 Insert flange gasket between turbocharger and exhaust manifold so that bead (arrow) is at exhaust manifold side.

17 **Always use heat-resistant nuts and bolts** to attach the turbocharger.

