

15-7100 Removing and Installing starter

Preceding work

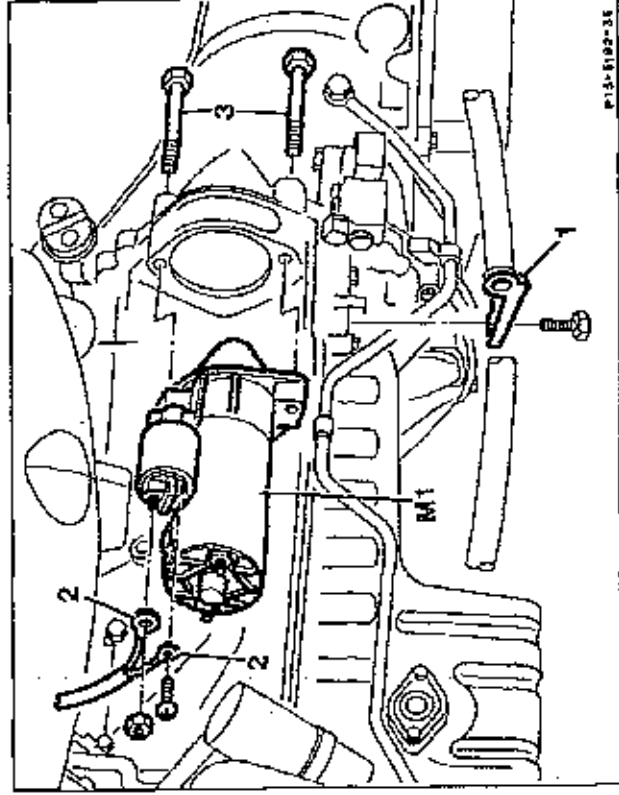
Engine compartment panel removed (81-0105) engines 103, 103, 104, 111, 119,974/876

Noise encapsulation removed (84-5305)

Air cleaner removed (99-400) engines 501, 502, 51, 503, 81

Operation no. of operation bolts and work units or standard tools and flat rates

A. Engines 102, 103, 104, 111, 601, 602, 603, 605, 606



Ground cable at battery	disconnect, connect.
Hose holder (1) with ASD	unscrew, screw on.
Electrical connections (2)	disconnect, connect.
Engine 603,963	remove left drag link on pitman arm, reinstall (46-0550).
Bolts (3)	unscrew, screw in.
Starter (M1)	take out downward, insert from below.

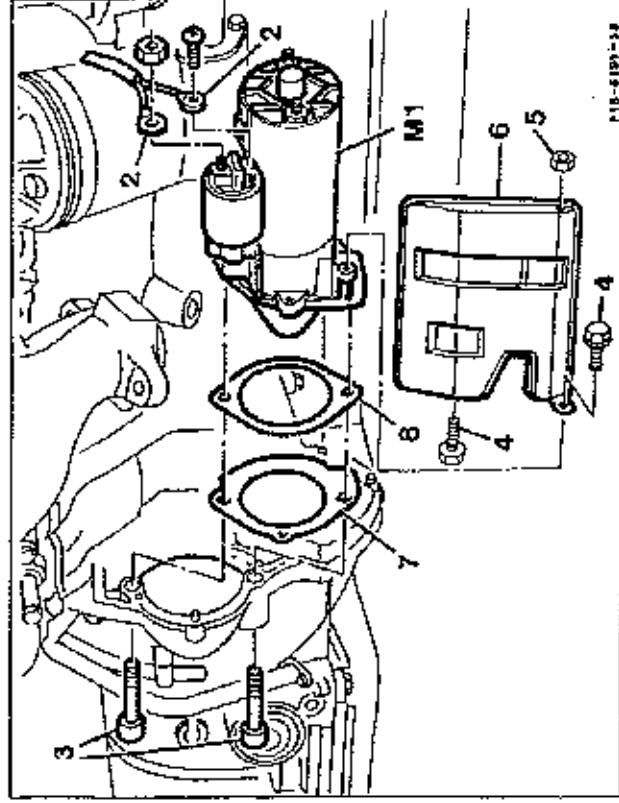
Note

On engines 501, 502, 603 with engine oil cooler, the following additional operations are necessary.

Thermostat for fuel preheater remove, install.

Bolts of left and right engine mounts remove, install.
 (from below)
 Engine raise, lower.
 Starter (M1) take out downward, insert from below.

B. Engines 119.974/975



Battery ground cable disconnect, connect.
 Steering turn to left.
 Shield on pitman arm remove, reinstall.
 Bolts (4) screw out, screw in.
 Nut (5) screw off, screw on.
 Shield (6) remove, install.
 Electrical connections (2) disconnect, reconnect.
 Bolts (3) screw out, screw in.
 Starter (M1) remove downward, install from below, remove
 and reinstall shim(s) (8) and splash guard (7), if
 present.