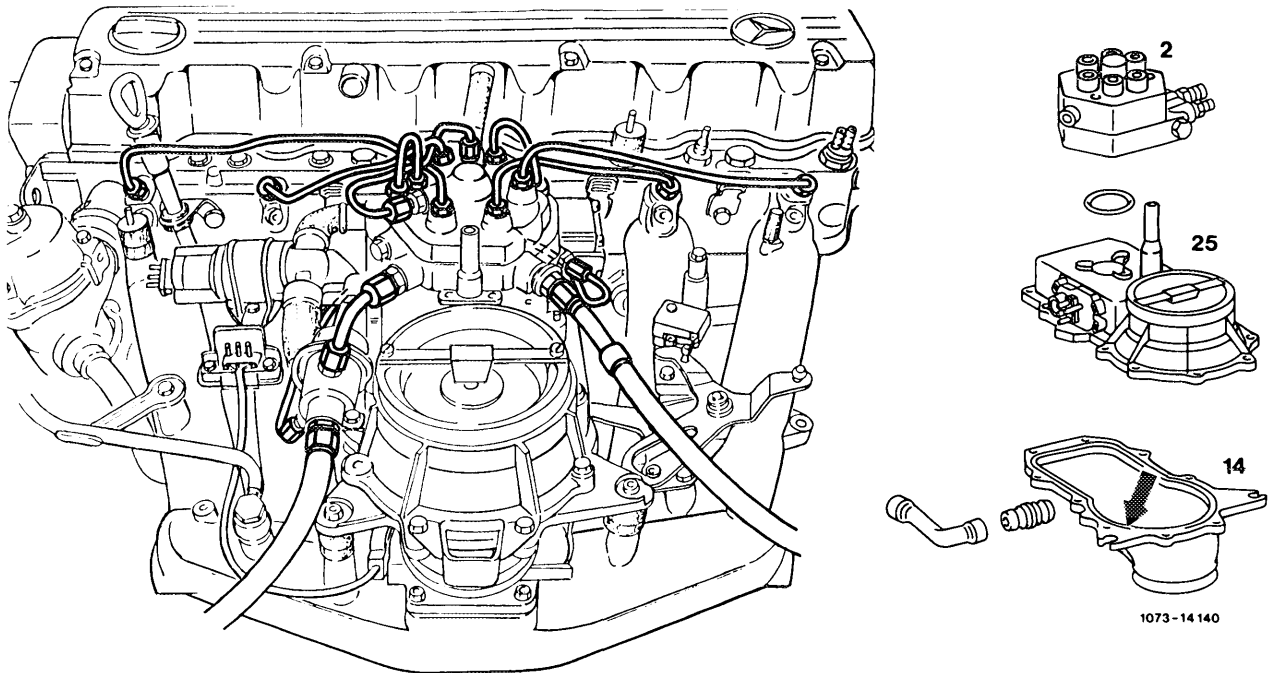


07.3-220 Replacing air volume meter

Job No. of work unit or standard texts and flat rates data 07-1686



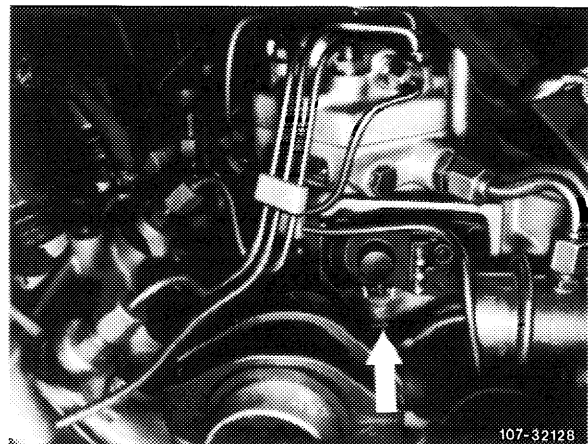
- | | |
|-------------------------------------|--|
| Mixture control unit (25) | Remove and install together with air guide housing (07.3-225) |
| Air guide housing (14). | Unscrew from mixture control unit (25). Replace damaged parts.
Do not use sealing compound during installation.
Sealing is performed by sealing lip (arrow). |
| Fuel distributor (2) | Remove and install (07.3-205) |

The air guide housing is made of rubber. It is fastened to light-alloy frame by means of buttons.

Note

Screws of different length are used for fastening air guide housing to air volume meter (air flow sensor). For this reason, make sure that during disassembly the removed screw below sensor of air volume meter (arrow) is again installed there.

Using a longer screw will damage sensor of air volume meter.



When loosening fuel line (50), fuel distributor to diaphragm pressure regulator make sure that the open-end wrench is not pressing against sensor for air volume meter and will damage the latter.

