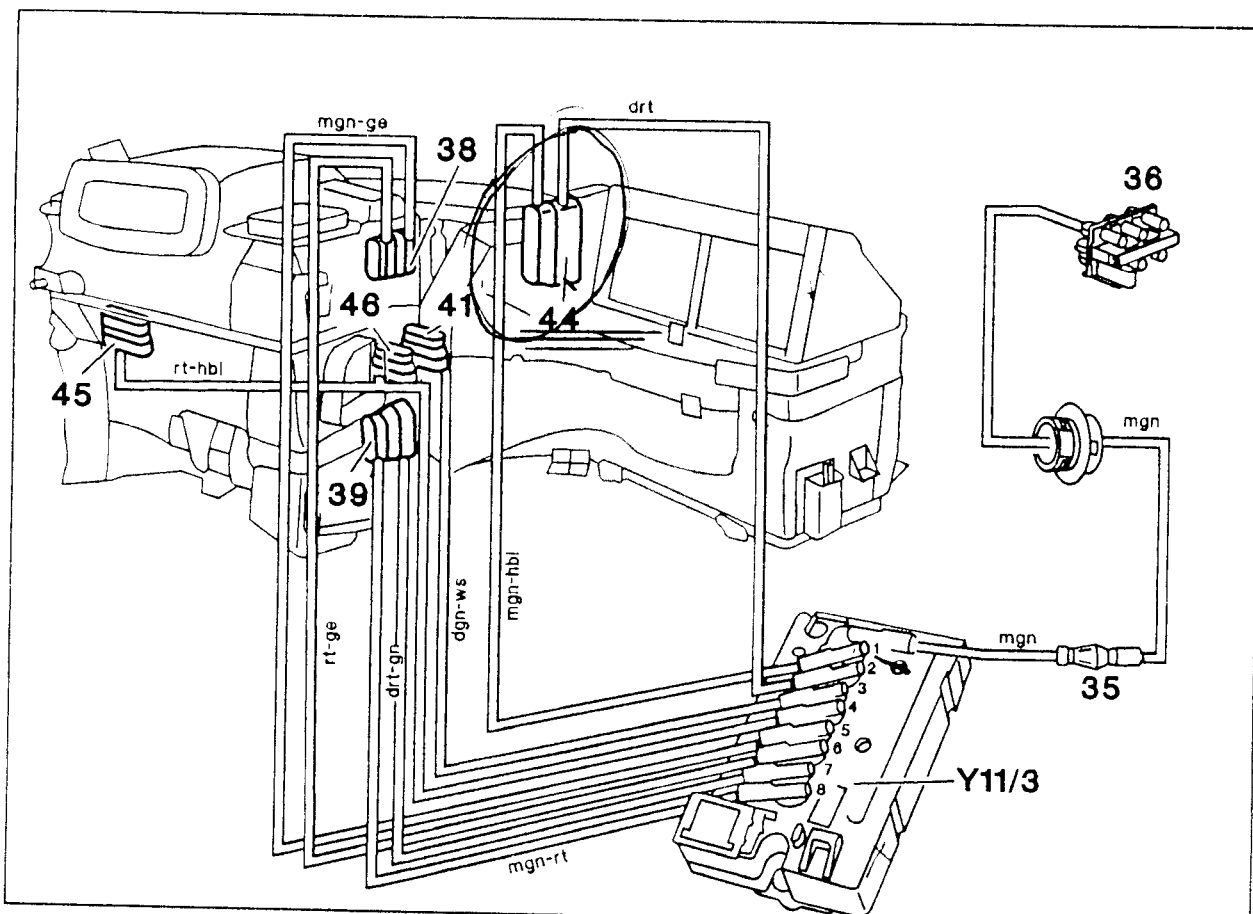


Vacuum circuit diagram, A/C system



U83-5642-57

- Y11/3 Switchover valve block (8 connections)
- 1 Switchover valve for fresh air/recirculation air flap (large stroke)
- 2 Switchover valve for, fresh air/recirculation air flap (small stroke)
- 3 Switchover valve for diverter flap, center air outlet
- 4 Switchover valve for diverter flap, left and right center air outlet
- 5 Switchover valve for defroster flap (large stroke)
- 6 Switchover valve for defroster flap (small stroke)
- 7 Switchover valve for footwell flap (large stroke)
- 8 Switchover valve for footwell flap (small stroke)
- 35 Connector, passenger compartment
- 36 Vacuum distribution block
- 38 Vacuum element for defroster flaps
- 39 Vacuum element for footwell flaps
- 41 Vacuum element for diverter flap, center air outlet
- 44 Vacuum element for fresh/recirculated air flap
- 45 Vacuum element for diverter flap, left center air outlet
- 46 Vacuum element for diverter flap, right center air outlet

- dgn dark green
- drt dark red
- ge yellow
- hbl light blue
- mgn medium green
- rt red
- ws white