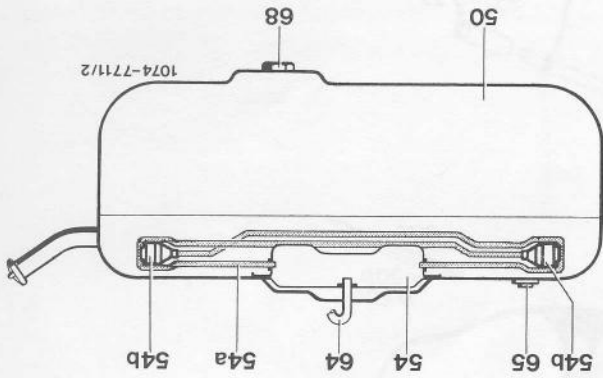
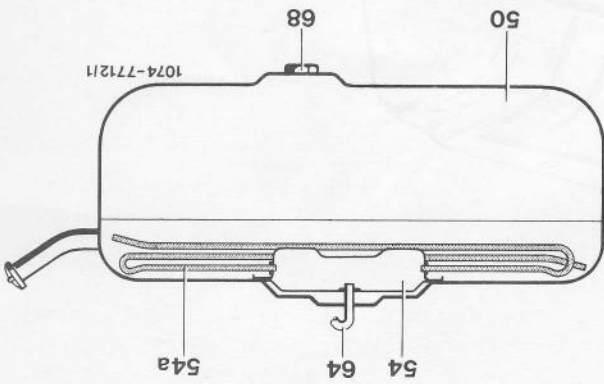


Positive and negative venting of fuel tank proceeds via vent line (64), with a protective sleeve (arrow) attached at its end.



54b Check vessels

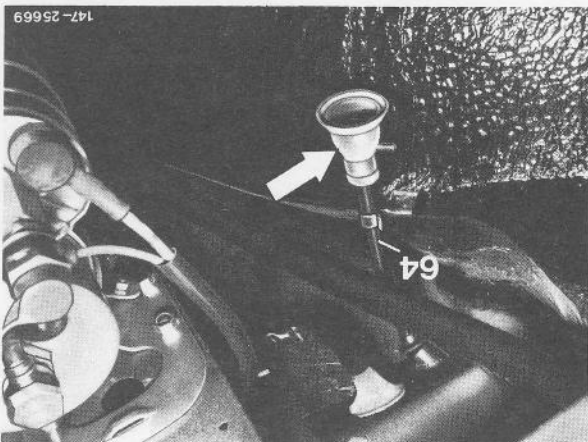
Since April 1980 additional check vessels are installed at ends of tube system.



54 Collecting tray
54a Tube system
64 Vent line

Model 126 has a vent system, comprising a collecting tray and a tube system.

D. Model 126 sedan and coupe



The vent line (64, arrow) leads from expansion tank (55) through rear floor in outward direction. Positive or negative venting of fuel tank proceeds by way of this line. A protective sleeve (arrow) is attached at end of vent line.